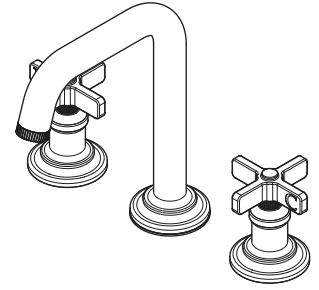


Winter Park™ 8"-15" Widespread Faucet

- LG49-WN2BG Finish(BG)
- LG49-WN2C Finish(C)
- LG49-WN2D Finish(D)
- LG49-WN2SDB Finish(SDB)



Specifications

Features

- 1.2 GPM Flow Rate
- 3-Hole Installation
- Adjustable Install
- All Metal Construction
- Metal Push & Seal™ Drain
- Supply Lines Not Included
- UltraSeal™ Ceramic Disc Valve
- Limited Lifetime Warranty



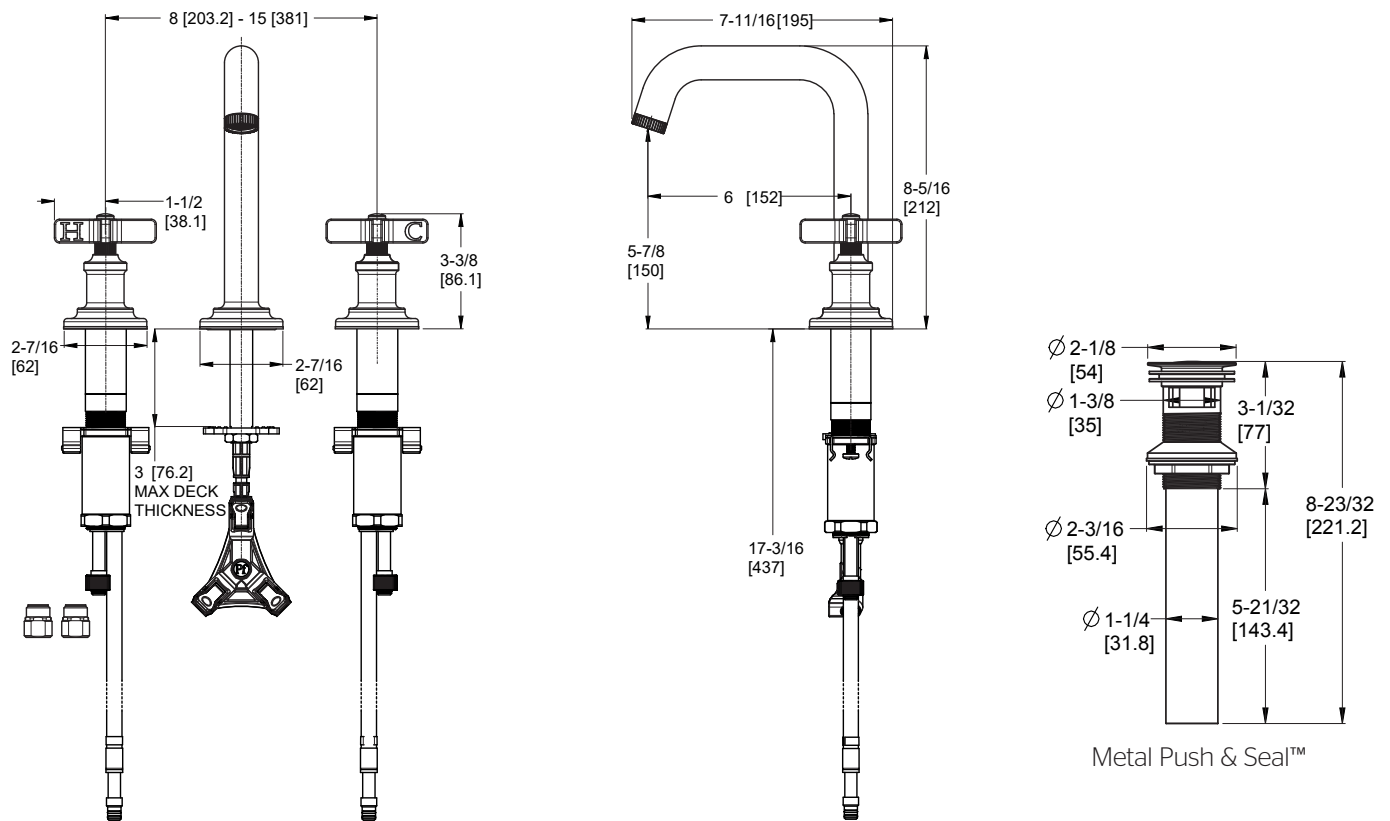
Code Compliance

Pfister products are designed and manufactured in compliance with the following standards and codes:

- IAPMO Certified to ASME A112.18.1/CSA B125.1
- NSF/ANSI/CAN61:Q≤1
- EPA WaterSense Certified
- CEC Certified/CALGreen compliant
- ADA Compliant - ANSI A117.1 (Handles Only)



Dimensions



Ø1-1/4 Min to Ø1-1/2 Max. Deck Hole Openings