

Highlights

- Kit Contains One Handle
- Trim Only
- Pforever Warranty®

Code Compliance

Price Pfister products are designed and manufactured in compliance with the following standards and codes:

- IAPMO certified • ASME A112.18.1
- CSA B125 certified • ANSI A117.1 (Lever handles only)

Tub & Shower Trim

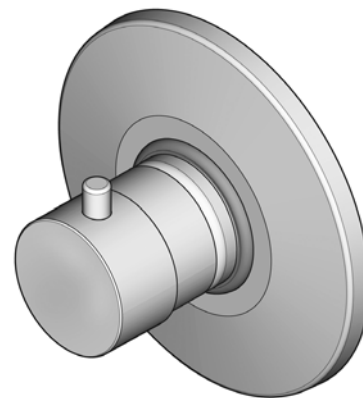
Round Handle

Single Hole Installation

Trim Only, Valve Not Included

Finishes	R78-9VUC	R78-9VUK	R78-9VUY
Tuscan Bronze			X
Polished Chrome	X		
Pforever Pfinish® Brushed Nickel		X	

Features	R78-9VUC	R78-9VUK	R78-9VUY



- R78-9VUC
- R78-9VUK
- R78-9VUY

Trim kit for 3/4" Thermostatic volume control valve

For additional information, please contact your Price Pfister representative, or visit our website at www.pricepfister.com.

Project: _____

Contractor: _____

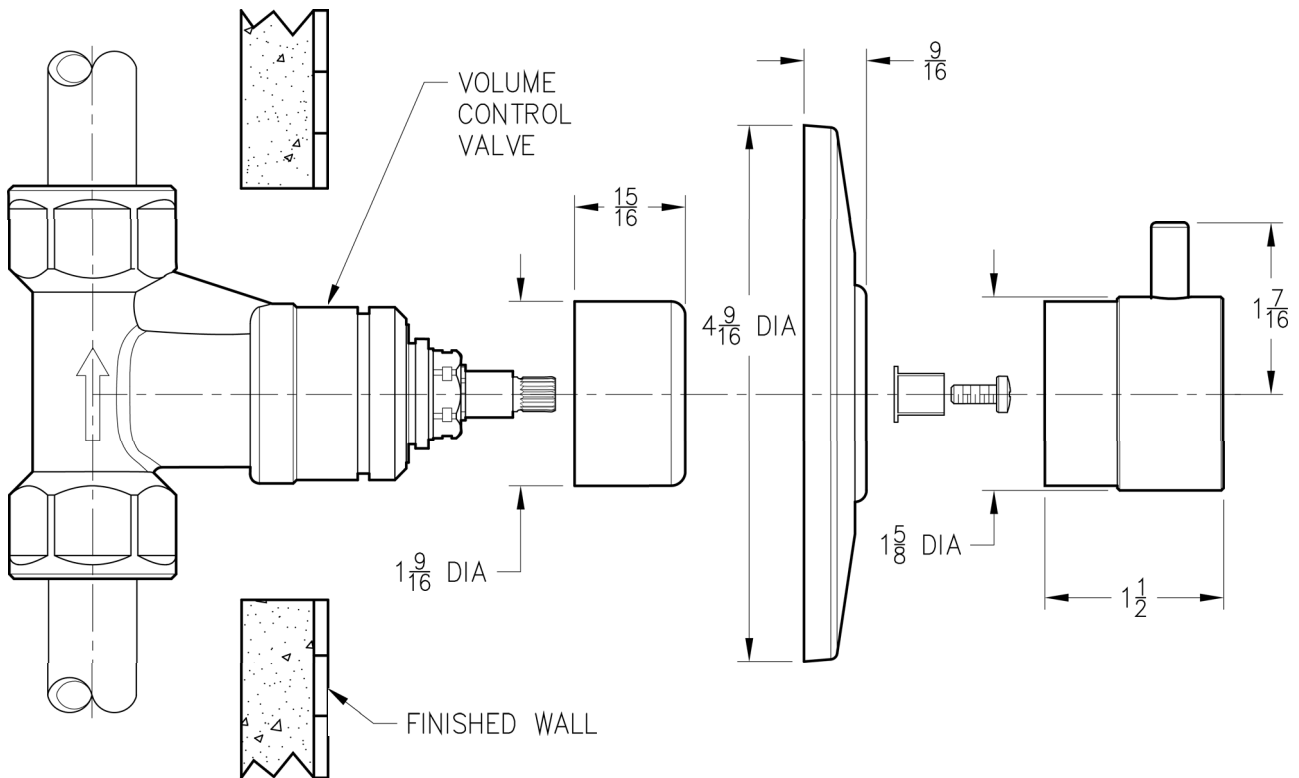
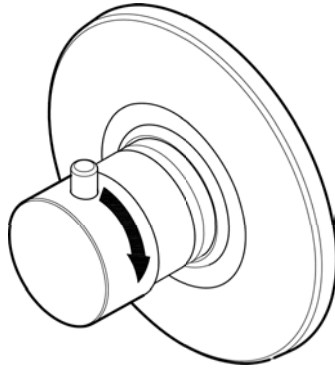
SS-R78-01

1-800-PFAUCET www.pricepfister.com
 19701 DaVinci, Lake Forest, CA 92610
 10/17/08

Price Pfister®

INSTALLATION DIMENSIONS

Tub & Shower Trim



Dimensions are in Inches

1-800-PFAUCET www.pricepfister.com
19701 DaVinci, Lake Forest, CA 92610
10/17/08

Price Pfister®

SS-R78-01