

**Highlights**

- Round Flange
- Quick Trim Installation—Attaches Without Tools, No Exposed Screws
- Fits 0X8 and JX8 Valve Bodies

**Code Compliance**

Price Pfister products are designed and manufactured in compliance with the following standards and codes:

- IAPMO certified
- ASME A112.18.1
- CSA B125 certified
- ANSI A117.1 (Lever handles only)

**R89 Series**

*Pf*irst Series<sup>™</sup>  
by Price Pfister

**Tub & Shower Trim**

Single Control

Valve Not Included

<b>Finishes</b>	<b>R89-0150</b>	<b>R89-0250</b>	<b>R89-0350</b>
Polished Chrome	x	x	x

<b>Features</b>	<b>R89-0150</b>	<b>R89-0250</b>	<b>R89-0350</b>
Round Flange	x	x	x
Round Acrylic Handles	x	x	x
Quick Trim Installation—Attaches Without Tools, No Exposed Screws	x	x	x
Fits 0X8 and JX8 Valve Bodies	x	x	x
Tub & Shower			x
Shower Only		x	
Tub Only	x		
Trim Only	x	x	x
Threaded Tub Spout	x		x
Step-By-Step Installation Instructions	x	x	x
Pforever Warranty®	x	x	x



R89-0350



R89-0250



R89-0150



For additional information, please contact your Price Pfister representative, or visit our website at [www.pricepfister.com](http://www.pricepfister.com).

**Project:** \_\_\_\_\_

**Contractor:** \_\_\_\_\_

SS-PR89-02

**1-800-PFAUCET** [www.pricepfister.com](http://www.pricepfister.com)  
19701 DaVinci, Lake Forest, CA 92610  
04/7/08

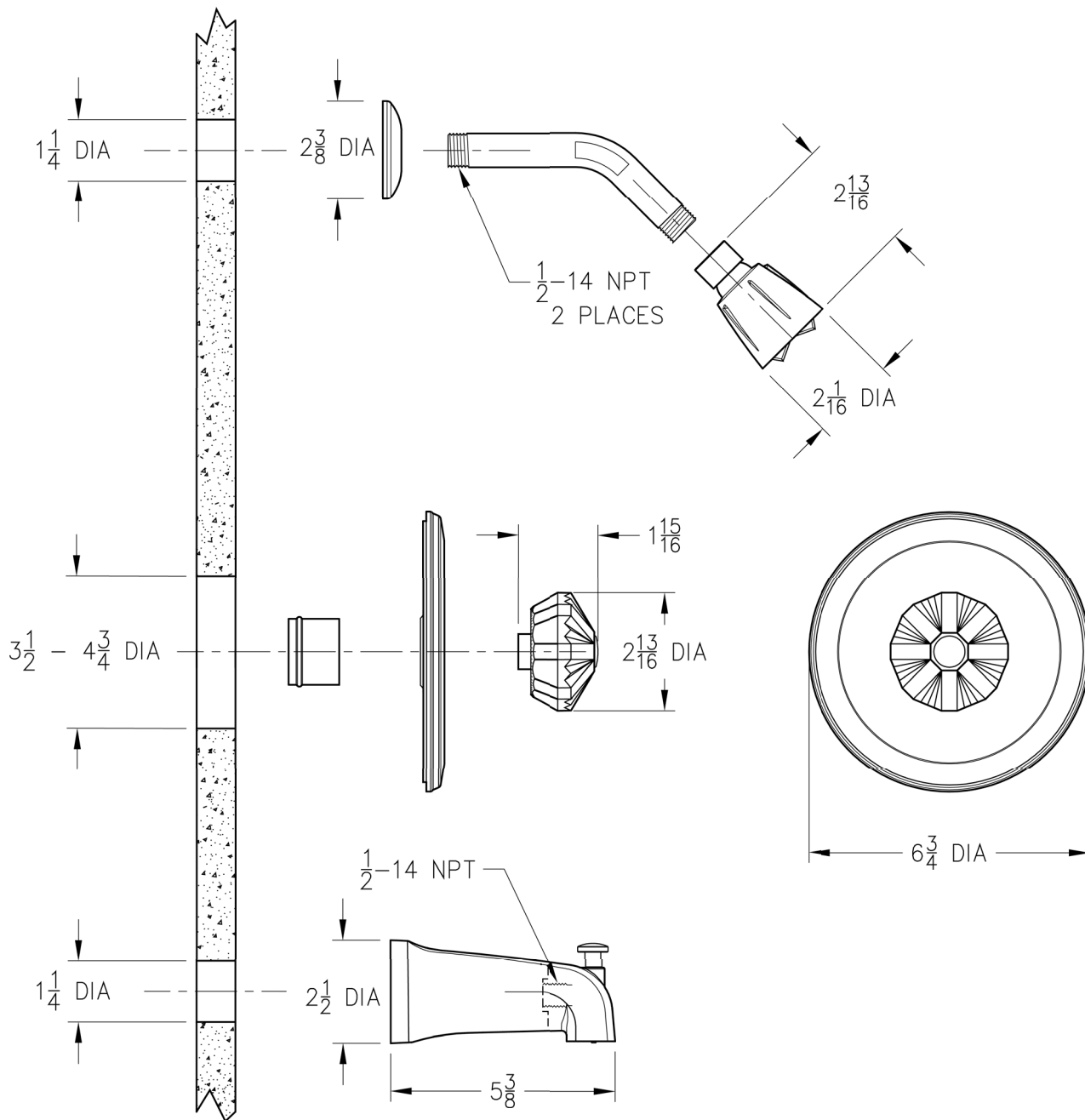
**Price Pfister®**  
Pf freshest Ideas in Pf faucets.

INSTALLATION DIMENSIONS

R89 Series

Pfister Series<sup>™</sup>  
by Price Pfister

Tub & Shower Trim



Dimensions are in Inches

1-800-PFAUCET www.pricepfister.com  
19701 DaVinci, Lake Forest, CA 92610  
07/27/07

Price Pfister<sup>®</sup>  
Pf Pfreshest Ideas in Pf faucets.

SS-PR89-02