

R89 Series

Portola™

Tub & Shower Trim

Single Handle

Tub & Shower

Pressure Balanced Valve

Highlights

- Pforever Warranty®
- 0X8 Valve; Pressure Balancing; Maintains Temperature with Changes in Water Pressure
- Dual ½" I.P. or ½" Copper Sweat Connections

Code Compliance

Price Pfister products are designed and manufactured in compliance with the following standards and codes:

- IAPMO certified • ASME A112.18.1
- CSA B125 certified • ANSI A117.1 (Lever handles only)

Finishes	R89-7RPC	R89-7RPK	R89-7RPY	R89-8RPC	R89-8RPK	R89-8RPY
Tuscan Bronze			X			X
Polished Chrome	X			X		
Satin Nickel		X		X		

Features	R89-7RPC	R89-7RPK	R89-7RPY	R89-8RPC	R89-8RPK	R89-8RPY
Fits 0X8 and JX8 Valve Bodies	X	X	X	X	X	X
2.5gpm Shower Head	X	X	X	X	X	X
ADA Compliant	X	X	X	X	X	X
Tub & Shower				X	X	X
Shower Only	X	X	X			
Trim Only	X	X	X	X	X	X
Multi-Function Showerhead	X	X	X	X	X	X
Pforever Warranty®	X	X	X	X	X	X



R89-7RPC

R89-7RPK

R89-7RPY



R89-8RPC

R89-8RPK

R89-8RPY



For additional information, please contact your Price Pfister representative, or visit our website at www.pricepfister.com.

Project: _____

1-800-PFAUCET www.pricepfister.com
 19701 DaVinci, Lake Forest, CA 92610
 08/26/08

Contractor: _____

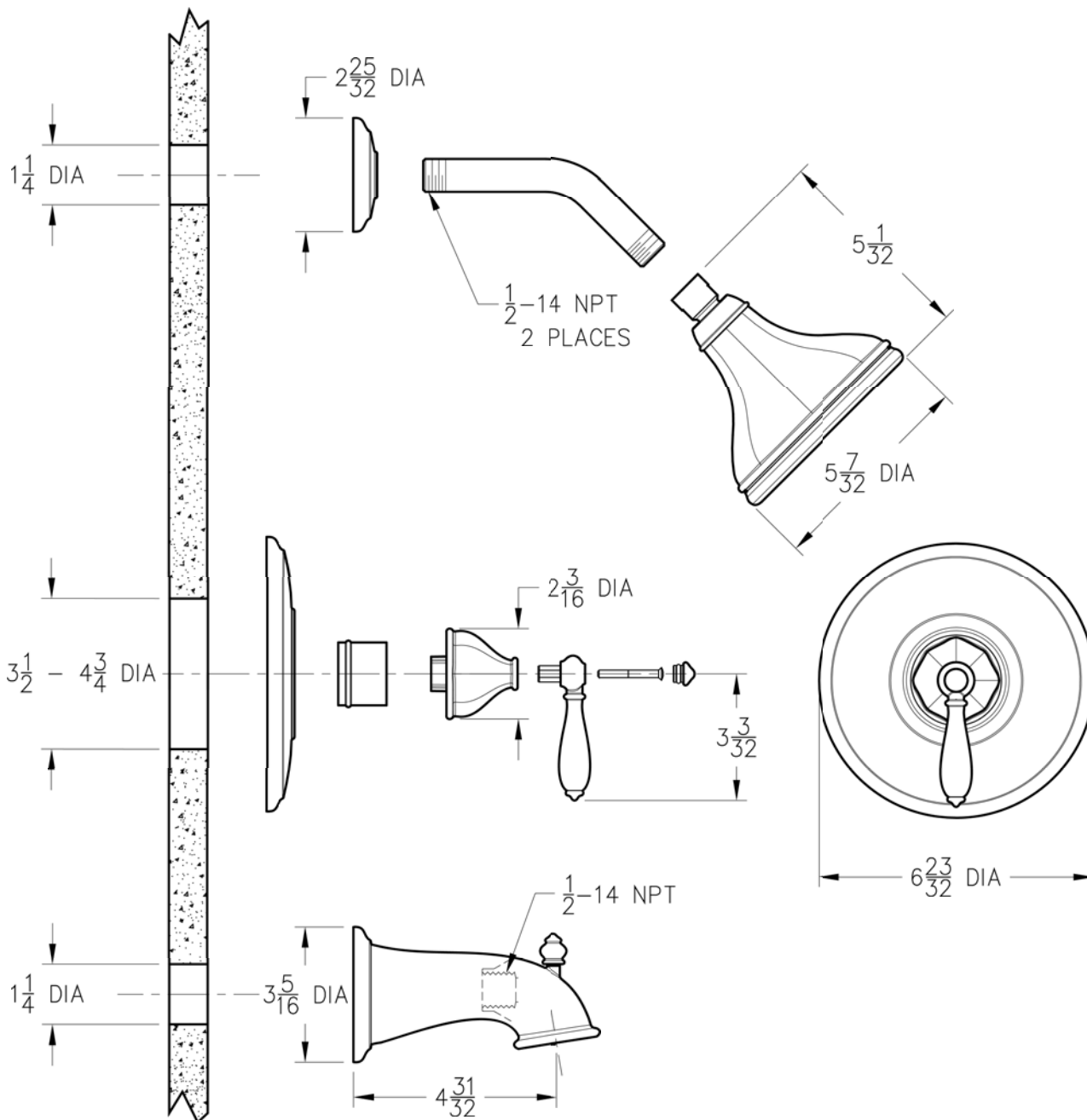
Price Pfister®

INSTALLATION DIMENSIONS

R89 Series

Portola

Tube & Shower Trim



Dimensions are in Inches

1-800-PFAUCET www.pricepfister.com
 19701 DaVinci, Lake Forest, CA 92610
 08/26/08

Price Pfister

SS-R89-21