

**Highlights**

- ADA Approved

**Code Compliance**

Price Pfister products are designed and manufactured in compliance with the following standards and codes:

- IAPMO certified
- ASME A112.18.1
- CSA B125 certified
- ANSI A117.1 (Lever handles only)

## SGL-HHS-HHL Series

**Hub & Handle Trim**

Lever Handle

<b>Finishes</b>	SGL-A0VC	SGL-A0VK	SGL-A0VP	SGL-L0LC	SGL-L0LP	SGL-L0LW	SGL-L0VC	SGL-L0VP	SGL-L0VW
Polished Chrome	x			x			x		
White						x			x
Pforever Pfinish® Polished Brass			x	x				x	
Pforever Pfinish® Brushed Nickel		x							

<b>Features</b>	SGL-A0VC	SGL-A0VK	SGL-A0VP	SGL-L0LC	SGL-L0LP	SGL-L0LW	SGL-L0VC	SGL-L0VP	SGL-L0VW
For Tub & Shower Trim	x	x	x	x	x	x	x	x	x
Kit Contains One Handle	x	x	x	x	x	x	x	x	x
Lever Handles							x	x	x
Loop Handle				x	x	x			
Parisa® Lever Handle	x	x	x						
Pforever Warranty®	x	x	x	x	x	x	x	x	x

See additional SS-HDL specification submittals for more handle selections.



- SGL-A0VC
- SGL-A0VK
- SGL-A0VP



- SGL-L0LC
- SGL-L0LP
- SGL-L0LW



- SGL-L0VC
- SGL-L0VP
- SGL-L0VW

For additional information, please contact your Price Pfister representative, or visit our website at [www.pricepfister.com](http://www.pricepfister.com).

**Project:** \_\_\_\_\_

**Contractor:** \_\_\_\_\_

SS-HDL-22

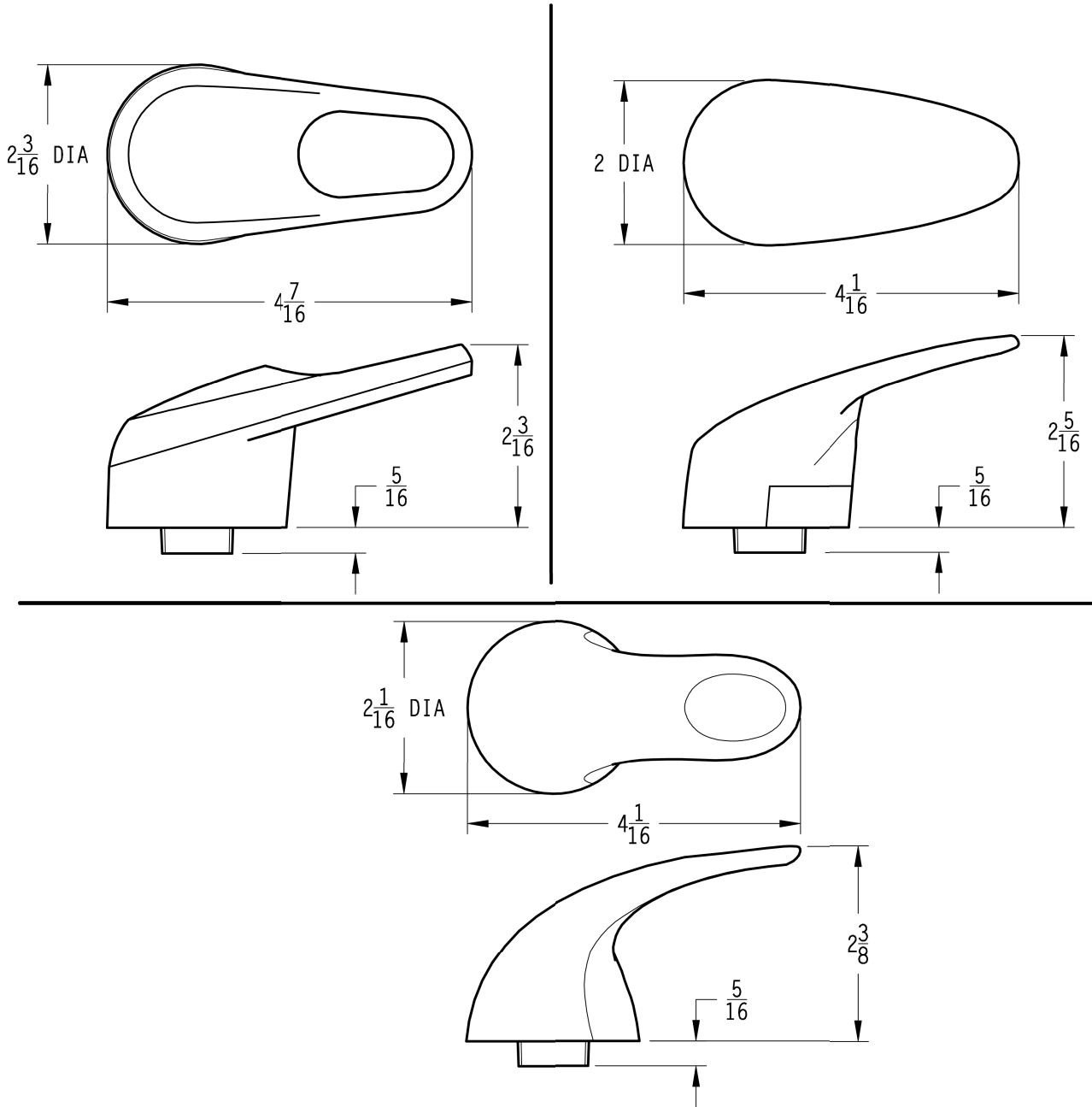
**1-800-PFAUCET** [www.pricepfister.com](http://www.pricepfister.com)  
 19701 DaVinci, Lake Forest, CA 92610  
 01/8/03

Price Pfister®

Pfreshest Ideas in Pfaucets.

# SGL-HHS-HHL Series

## Hub & Handle Trim



Dimensions are in Inches

1-800-PFAUCET [www.pricepfister.com](http://www.pricepfister.com)  
19701 DaVinci, Lake Forest, CA 92610  
01/8/03

**Price Pfister®**  
Pf freshest Ideas in Pf faucets.

SS-HDL-22