

Highlights

- Bell Hub
- Solid Brass Construction
- MatchMakers® Accessories Available

Code Compliance

Price Pfister products are designed and manufactured in compliance with the following standards and codes:

- IAPMO certified
- ASME A112.18.1
- CSA B125 certified
- ANSI A117.1 (Lever handles only)

SGL-HHS-HHL Series

Hub & Handle Trim

Lever Handles

Finishes	SGL-B0BC	SGL-B0BP	SGL-BCMB	SGL-BCMCK	SGL-BDXD	SGL-BKMK	SGL-BLBZ	SGL-BPMK
Polished Chrome	X							
Polished Chrome with Brass Accents			X					
Brushed Nickel with Chrome Accents				X				
Pforever Pfinish® Polished Brass		X						
Brushed Nickel with Brass Accents								X
Pforever Pfinish® Polished Nickel					X			
Oil Rubbed Bronze							X	
Pforever Pfinish® Brushed Nickel						X		

Features	SGL-B0BC	SGL-B0BP	SGL-BCMB	SGL-BCMCK	SGL-BDXD	SGL-BKMK	SGL-BLBZ	SGL-BPMK
For Tub & Shower Trim	X	X	X	X	X	X	X	X
Kit Contains One Handle	X	X	X	X	X	X	X	X
Metal Lever Handles	X	X	X	X	X	X	X	X
Pforever Warranty®	X	X	X	X	X	X	X	X



- SGL-B0BC
- SGL-B0BP
- SGL-BCMB
- SGL-BCMCK
- SGL-BDXD
- SGL-BKMK
- SGL-BLBZ
- SGL-BPMK

See additional SS-HDL specification submittals for more handle selections.

For additional information, please contact your Price Pfister representative, or visit our website at www.pricepfister.com.

Project: _____

Contractor: _____

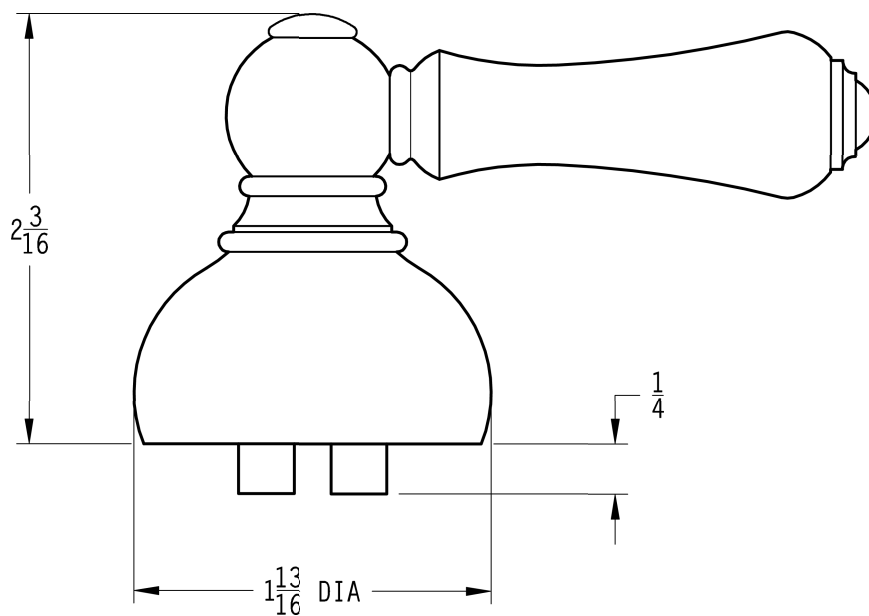
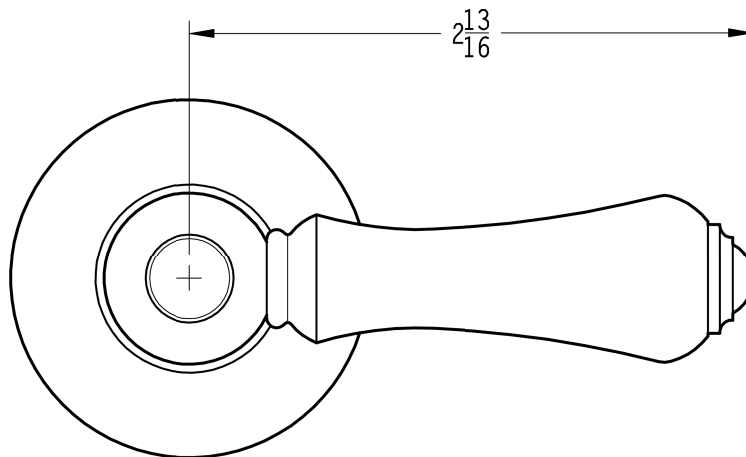
SS-HDL-09

1-800-PFAUCET www.pricepfister.com
 19701 DaVinci, Lake Forest, CA 92610
 01/8/03



SGL-HHS-HHL Series

Hub & Handle Trim



Dimensions are in Inches

1-800-PFAUCET www.pricepfister.com
19701 DaVinci, Lake Forest, CA 92610
01/8/03

Price Pfister®
Pf Pfreshet Ideas in Pfaucets.

SS-HDL-09