

Highlights

- Conical Hub
- Solid Brass Construction
- MatchMakers® Accessories Available

Code Compliance

Price Pfister products are designed and manufactured in compliance with the following standards and codes:

- IAPMO certified
- ASME A112.18.1
- CSA B125 certified
- ANSI A117.1 (Lever handles only)

SGL-HHS-HHL Series

Hub & Handle Trim

Lever Handles

Finishes	SGL-JCMB	SGL-JCMK	SGL-JDMD	SGL-JKMK	SGL-JLBC	SGL-JLBP	SGL-JLBZ	SGL-JPMK
Polished Chrome					X			
Polished Chrome with Brass Accents	X							
Brushed Nickel with Chrome Accents		X						
Pforever Pfinish® Polished Brass						X		
Brushed Nickel with Brass Accents								X
Polished Nickel			X					
Oil Rubbed Bronze							X	
Pforever Pfinish® Brushed Nickel				X				

Features	SGL-JCMB	SGL-JCMK	SGL-JDMD	SGL-JKMK	SGL-JLBC	SGL-JLBP	SGL-JLBZ	SGL-JPMK
For Tub & Shower Trim	X	X	X	X	X	X	X	X
Kit Contains One Handle	X	X	X	X	X	X	X	X
Metal Lever Handles	X	X	X	X	X	X	X	X
Pforever Warranty®	X	X	X	X	X	X	X	X



- SGL-JCMB
- SGL-JCMK
- SGL-JDMD
- SGL-JKMK
- SGL-JLBC
- SGL-JLBP
- SGL-JLBZ
- SGL-JPMK

See additional SS-HDL specification submittals for more handle selections.

For additional information, please contact your Price Pfister representative, or visit our website at www.pricepfister.com.

Project: _____

Contractor: _____

SS-HDL-17

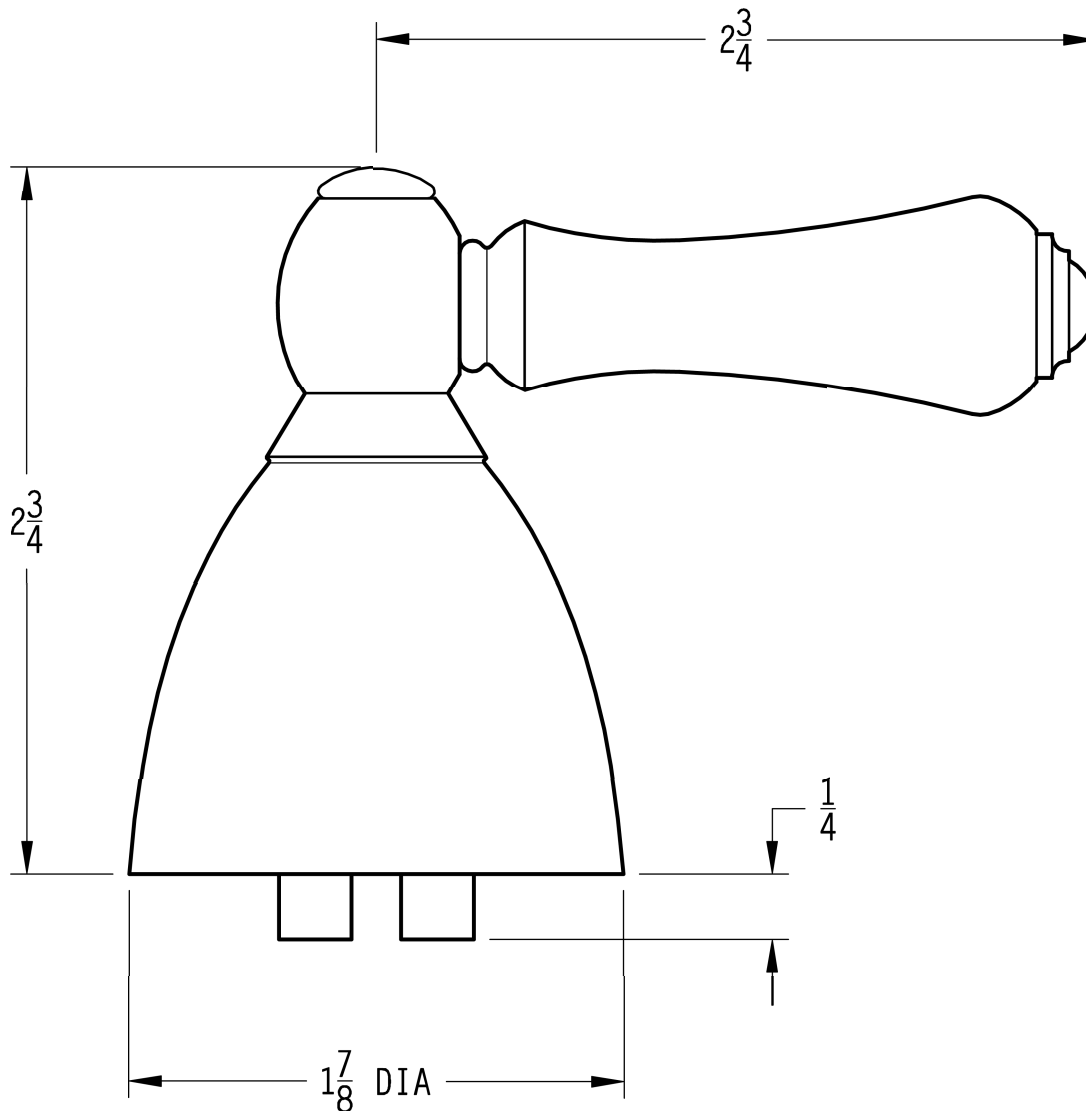
1-800-PFAUCET www.pricepfister.com
 19701 DaVinci, Lake Forest, CA 92610
 01/8/03



SGL-HHS-HHL Series

Hub & Handle Trim

SGL



Dimensions are in Inches

1-800-PFAUCET www.pricepfister.com
19701 DaVinci, Lake Forest, CA 92610
01/8/03

Price Pfister[®]
Pf Pfreshet Ideas in Pfaucets.

SS-HDL-17