

Highlights

- Solid Cast Brass Body and Spout
- 1 or 3-Hole Installation; Deck Plate or Single Hole Mounting Option
- Metal Pop-Up

Code Compliance

Price Pfister products are designed and manufactured in compliance with the following standards and codes:

- IAPMO certified
- ASME A112.18.1
- CSA B125 certified
- ANSI A117.1 (Lever handles only)

42 Series

Portola™

Single Control Lavatory Faucet

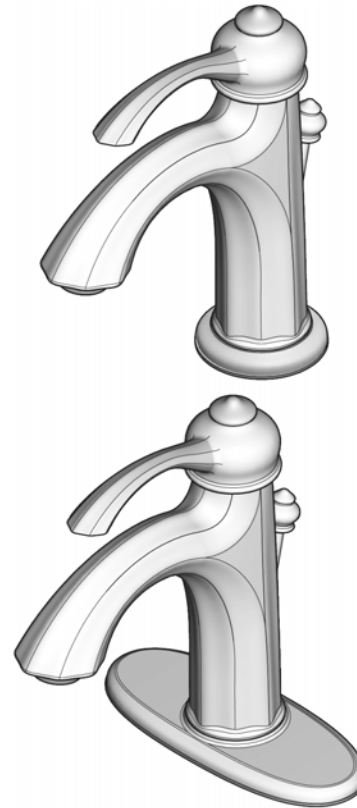
Single Control

1 or 3-Hole Installation

Ceramic Disc Valve

Finishes	T 42-RP0C	T 42-RP0K	T 42-RP0Y
Tuscan Bronze			X
Rustic Pewter	X		
Satin Nickel		X	

Features	T 42-RP0C	T 42-RP0K	T 42-RP0Y
Solid Brass Construction	X	X	X
1 or 3-Hole Installation; Deck Plate or Single Hole Mounting Option	X	X	X
Install With or Without Deck Plate	X	X	X
2.2 gpm (8.33 L/M) Flow Rate	X	X	X
ADA Compliant	X	X	X
Metal Pop-Up	X	X	X
High-Arc Decorative Spout	X	X	X
Single Control Ceramic Disc Valve	X	X	X
Pforever Warranty®	X	X	X



- T42-RP0C
- T42-RP0K
- T42-RP0Y

For additional information, please contact your Price Pfister representative, or visit our website at www.pricepfister.com.

Project: _____

Contractor: _____

SS-042-11

1-800-PFAUCET www.pricepfister.com
 19701 DaVinci, Lake Forest, CA 92610
 08/26/08

Price Pfister®

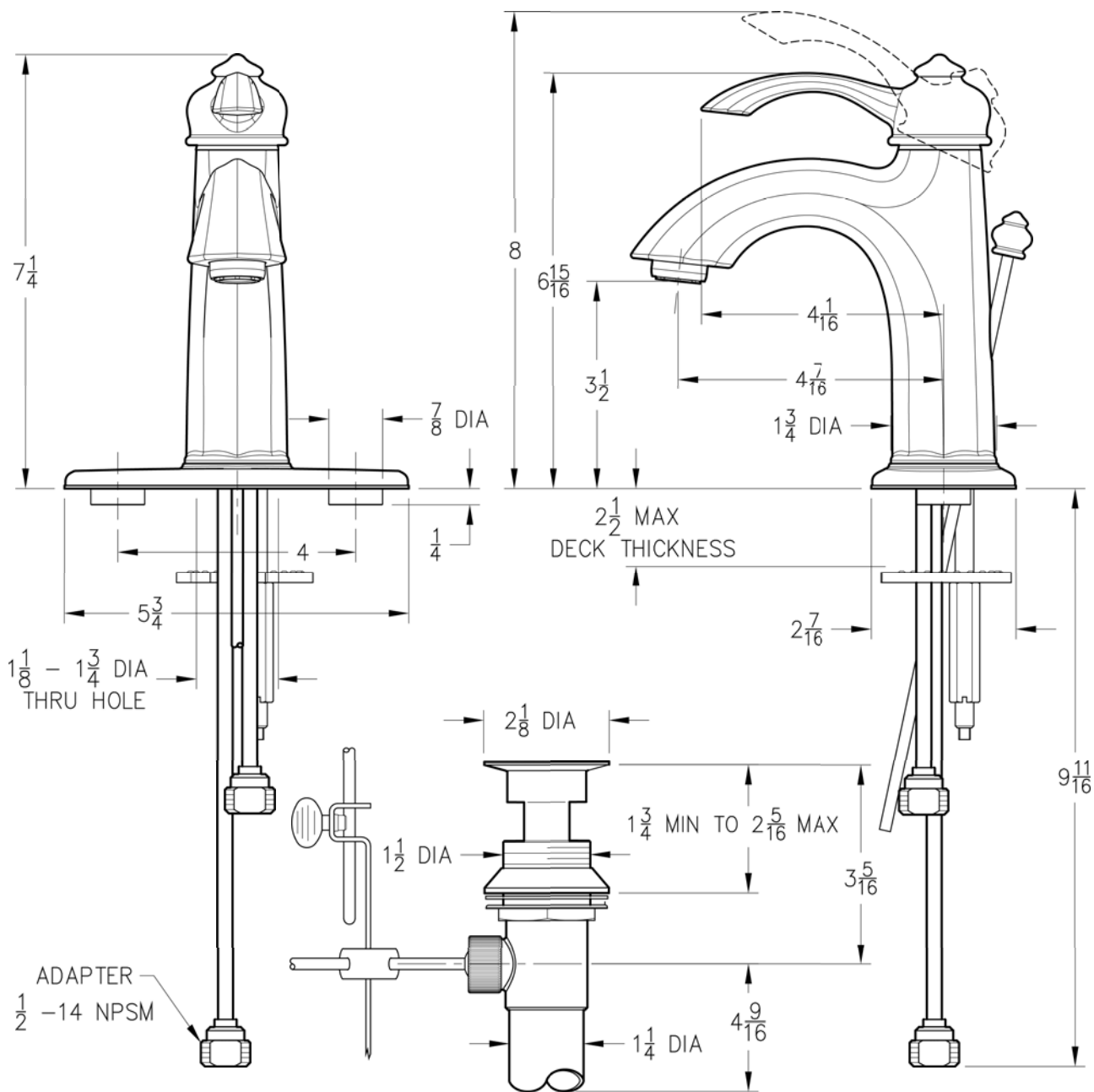
INSTALLATION DIMENSIONS

42 Series

Portola™

Single Control Lavatory Faucet

Critical Dimensions:	
Valve Centerline to Back Splash	2 1/4 Min.



CAUTION:
When using the compression fittings in this package, with these types of installations, the installer must flare or bead the water supply lines to avoid blow-out conditions. Avoiding such steps in the installation of the unit may result in water damage.

Connect inlet supply lines by assembling brass supply nut (A), friction ring (B) and cone washer (C) onto 3/8" O.D. straight copper tube. Bead or flare. Wrench tighten.

Dimensions are in Inches

1-800-PFAUCET www.pricepfister.com
19701 DaVinci, Lake Forest, CA 92610
08/26/08

Price Pfister