

Highlights

- Swivel Spout
- Complete Collection with Coordinating Roman Tub and Tub & Shower Options
- Ceramic Disc Valves

Code Compliance

Price Pfister products are designed and manufactured in compliance with the following standards and codes:

- IAPMO certified
- ASME A112.18.1
- CSA B125 certified
- ANSI A117.1 (Lever handles only)

43 Series

ASHFIELD
COLLECTION

4" Centerset Lavatory Faucet

- Lever Handles
- 3-Hole Installation
- Ceramic Disc Valves

| Finishes | T43-YP0C | T43-YP0E | T43-YP0K | T43-YP0U | T43-YP0Y | T43-YP0Z |
|-------------------|----------|----------|----------|----------|----------|----------|
| Rustic Bronze | | | X | | | |
| Tuscan Bronze | | | | X | | |
| Rustic Pewter | | X | | | | |
| Polished Chrome | X | | | | | |
| Oil Rubbed Bronze | | | | | | X |
| Satin Nickel | | | X | | | |

| Features | T43-YP0C | T43-YP0E | T43-YP0K | T43-YP0U | T43-YP0Y | T43-YP0Z |
|--|----------|----------|----------|----------|----------|----------|
| Solid Cast Brass Body and Spout | X | X | X | X | X | X |
| Metal Lever Handles | X | X | X | X | X | X |
| ADA Approved | X | X | X | X | X | X |
| Metal Pop-Up | X | X | X | X | X | X |
| High-Arc Decorative Spout | X | X | X | X | X | X |
| Swivel Spout | X | X | X | X | X | X |
| 1/4 Turn Ceramic Disc Valves | X | X | X | X | X | X |
| Step-By-Step Installation Instructions | X | X | X | X | X | X |
| Pforever Warranty® | X | X | X | X | X | X |



- T43-YP0C
- T43-YP0E
- T43-YP0K
- T43-YP0U
- T43-YP0Y
- T43-YP0Z

For additional information, please contact your Price Pfister representative, or visit our website at www.pricepfister.com.

Project: _____

Contractor: _____

SS-043-06

1-800-PFAUCET www.pricepfister.com
19701 DaVinci, Lake Forest, CA 92610
10/27/06

Price Pfister®
 Pfreshet Ideas in Pfaucets.

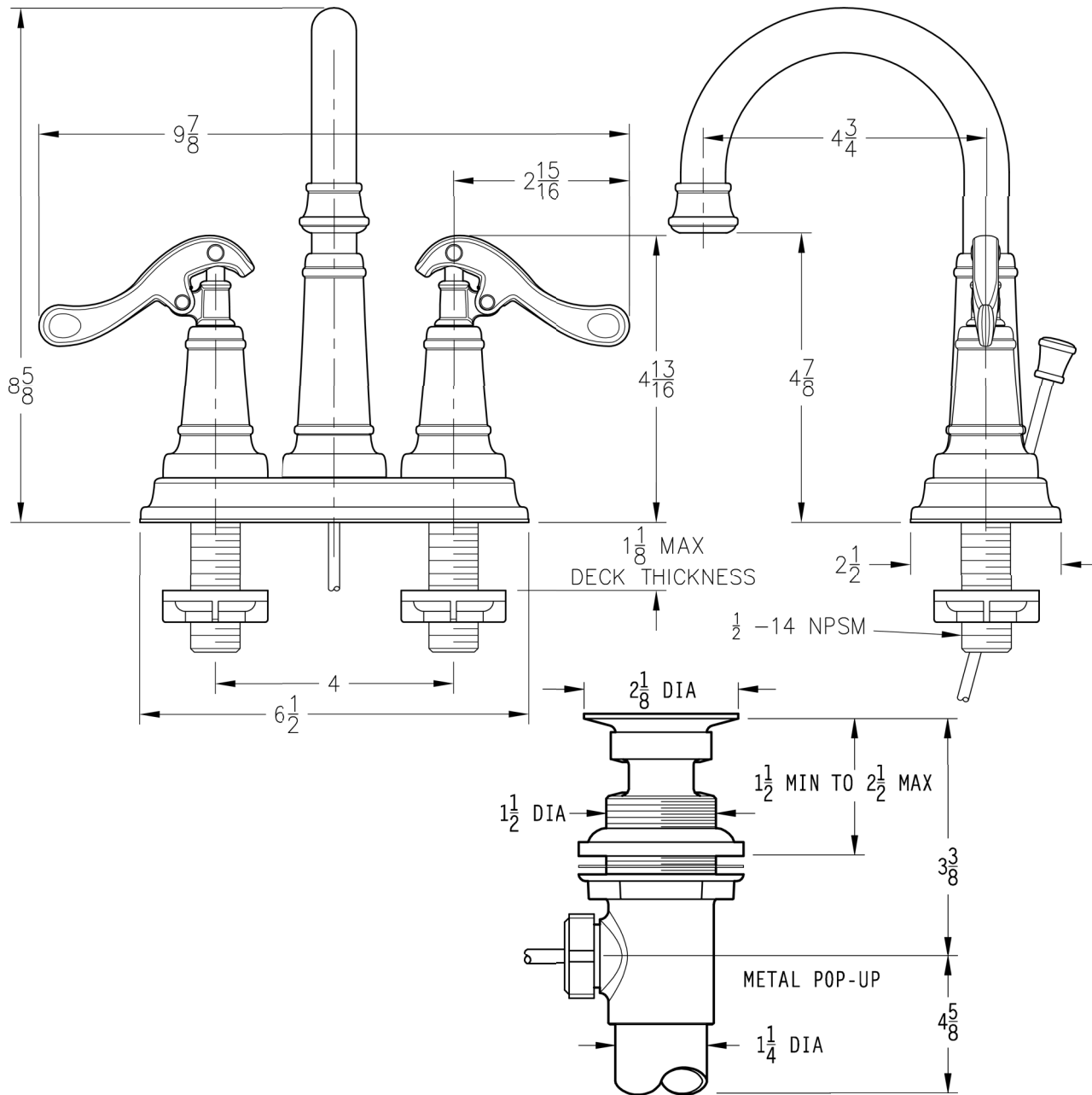
INSTALLATION DIMENSIONS

43 Series

ASHFIELD
COLLECTION

4" Centerset Lavatory Faucet

| Critical Dimensions: | |
|---------------------------------|--|
| Minimum Hole Size | 1 1/2 DIA End Holes, 1 DIA Middle Hole |
| Valve Centerline to Back Splash | 2 1/2 Min. |



CAUTION:
When using the compression fittings in this package, with these types of installations, the installer must flare or bead the water supply lines to avoid blow-out conditions. Avoiding such steps in the installation of the unit may result in water damage.

Connect inlet supply lines by assembling brass supply nut (A), friction ring (B) and cone washer (C) onto 3/8" O.D. straight copper tube. Bead or flare. Wrench tighten.

Dimensions are in Inches

1-800-PFAUCET www.pricepfister.com
19701 DaVinci, Lake Forest, CA 92610
10/27/06

Price Pfister®
Pf freshest Ideas in Pf faucets.

SS-043-06