

**Highlights**

- Lever Handles
- Complete Collection with Coordinating Roman Tub and Tub & Shower Options
- Ceramic Disc Valves

**Code Compliance**

Price Pfister products are designed and manufactured in compliance with the following standards and codes:

- IAPMO certified
- ASME A112.18.1
- CSA B125 certified
- ANSI A117.1 (Lever handles only)

**48 Series**

**TREVISO™**

**4" Centerset Lavatory Faucet**

Lever Handles

3-Hole Installation

Ceramic Disc Valves

<b>Finishes</b>	T48-DC00	T48-DK00	T48-DP00
Polished Chrome	X		
Pforever Pfinish® Polished Brass			X
Satin Nickel		X	

<b>Features</b>	T48-DC00	T48-DK00	T48-DP00
Metal Lever Handles	X	X	X
Metal Pop-Up	X	X	X
High-Arc Decorative Spout	X	X	X
¼ Turn Ceramic Disc Valves	X	X	X
Step-By-Step Installation Instructions	X	X	X
Pforever Warranty®	X	X	X



- T48-DC00
- T48-DK00
- T48-DP00

For additional information, please contact your Price Pfister representative, or visit our website at [www.pricepfister.com](http://www.pricepfister.com).

**Project:** \_\_\_\_\_

**Contractor:** \_\_\_\_\_

SS-048-04

**1-800-PFAUCET** [www.pricepfister.com](http://www.pricepfister.com)  
 19701 DaVinci, Lake Forest, CA 92610  
 10/27/06

**Price Pfister®**  
 Pf freshest Ideas in Pfaucets.

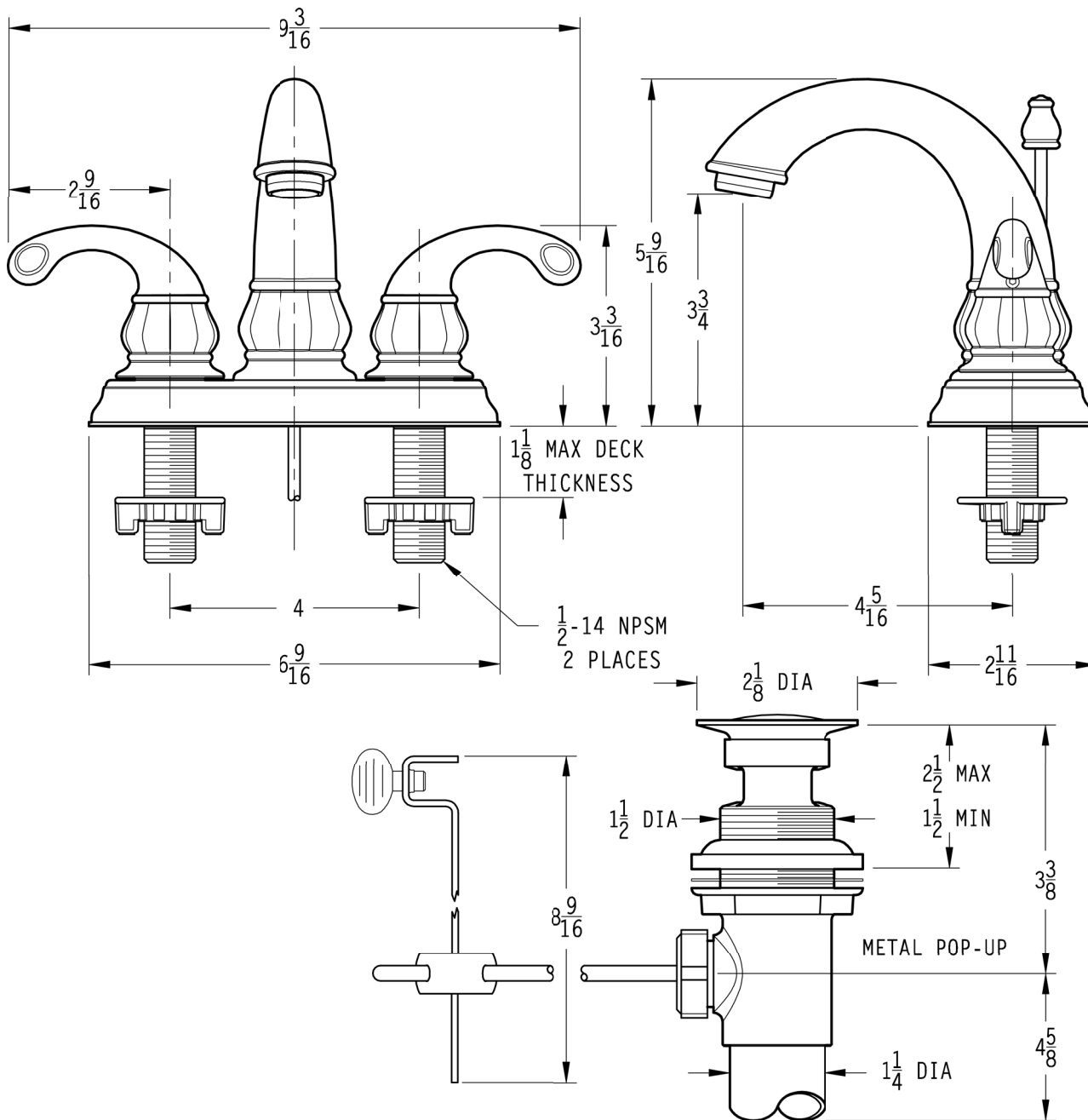
# INSTALLATION DIMENSIONS

## 48 Series

# TREVISO™

## 4" Centerset Lavatory Faucet

<b>Critical Dimensions:</b>	
Minimum Hole Size	1 - 1 1/2 DIA Thru Hole 3 Places
Valve Centerline to Back Splash	2 11/32 MIN



**CAUTION:**  
When using the compression fittings in this package, with these types of installations, the installer must flare or bead the water supply lines to avoid blow-out conditions. Avoiding such steps in the installation of the unit may result in water damage.

Connect inlet supply lines by assembling brass supply nut (A), friction ring (B) and cone washer (C) onto 3/8" O.D. straight copper tube. Bead or flare. Wrench tighten.

Dimensions are in Inches

**1-800-PFAUCET** www.pricepfister.com  
19701 DaVinci, Lake Forest, CA 92610  
10/27/06

**Price Pfister®**  
Pfreshest Ideas in Pf faucets.