

**Highlights**

- ¼ Turn Ceramic Disc Valves
- Pforever Warranty®
- Metal Pop-Up

**Code Compliance**

Price Pfister products are designed and manufactured in compliance with the following standards and codes:

- IAPMO certified           • ASME A112.18.1
- CSA B125 certified       • ANSI A117.1 (Lever handles only)

## 48 Series

# SAXTON™

### 4" Centerset Lavatory Faucet

Lever Handles

3-Hole Installation

1/4 Turn Ceramic Disc Valves

<b>Finishes</b>	T48-GLOC	T48-GLOK	T48-GLOY
Tuscan Bronze			X
Polished Chrome	X		
Satin Nickel		X	

<b>Features</b>	T48-GLOC	T48-GLOK	T48-GLOY
Lever Handles	X	X	X
3-Hole Installation	X	X	X
Meets EPA Watersense Certification 1.5gpm, 5.7L/Min	X	X	X
Metal Pop-Up	X	X	X
High-Arc Decorative Spout	X	X	X
¼ Turn Ceramic Disc Valves	X	X	X
Step-By-Step Installation Instructions	X	X	X
Pforever Warranty®	X	X	X



- T48-GLOC
- T48-GLOK
- T48-GLOY

For additional information, please contact your Price Pfister representative, or visit our website at [www.pricepfister.com](http://www.pricepfister.com).

**Project:** \_\_\_\_\_

**Contractor:** \_\_\_\_\_

SS-048-12

**1-800-PFAUCET** [www.pricepfister.com](http://www.pricepfister.com)  
19701 DaVinci, Lake Forest, CA 92610  
08/26/08

Price Pfister®

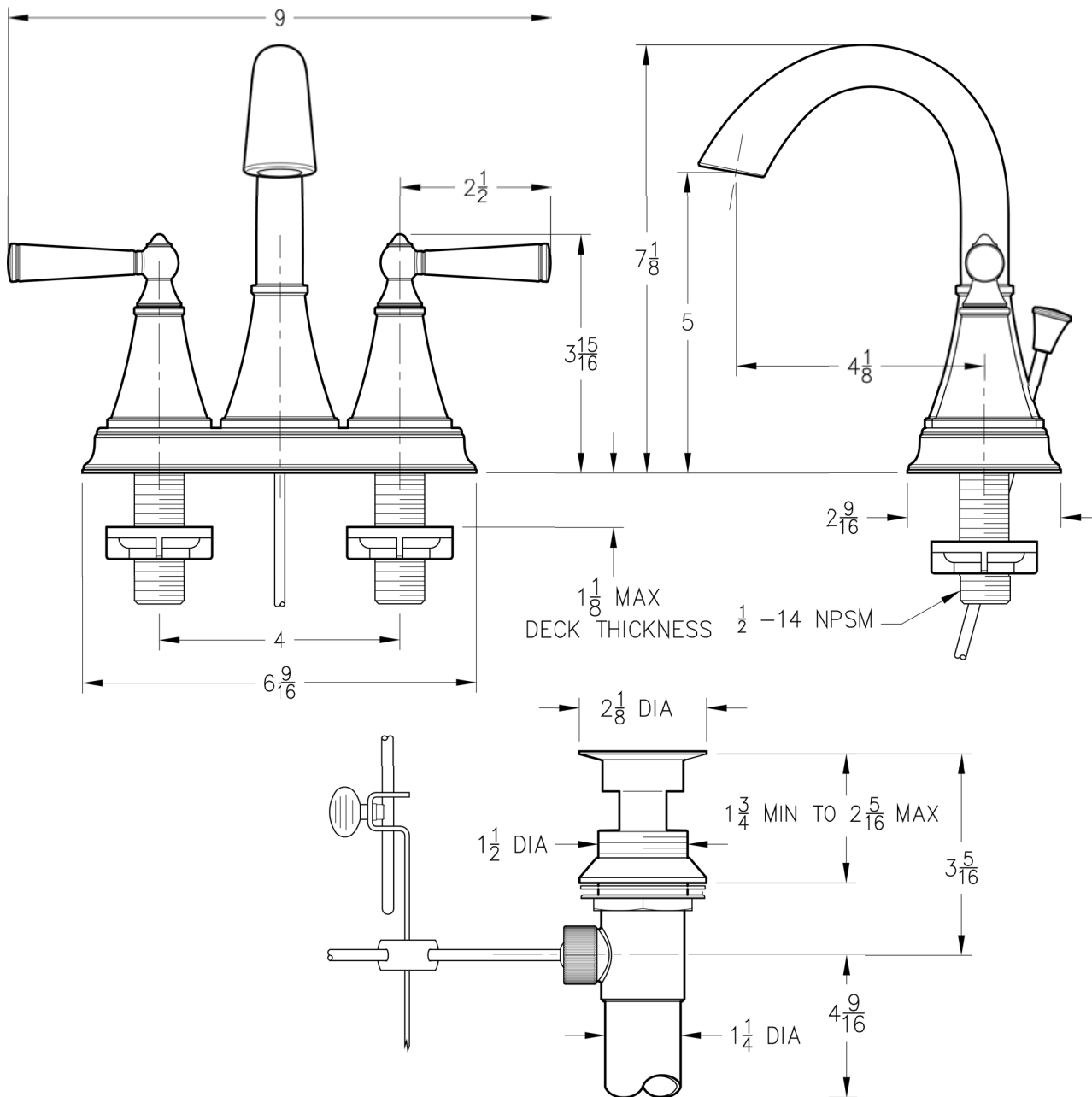
# INSTALLATION DIMENSIONS

## 48 Series

# SAXTON™

## 4" Centerset Lavatory Faucet

<b>Critical Dimensions:</b>	
Minimum Hole Size	1 - 1 1/2 Dia Thru Hole 3 Places
Valve Centerline to Finished Wall	2 5/16 MIN



**CAUTION:**  
When using the compression fittings in this package, with these types of installations, the installer must flare or bead the water supply lines to avoid blow-out conditions. Avoiding such steps in the installation of the unit may result in water damage.

Connect inlet supply lines by assembling brass supply nut (A), friction ring (B) and cone washer (C) onto 3/8" O.D. straight copper tube. Bead or flare. Wrench tighten.

Dimensions are in Inches

**1-800-PFAUCET** www.pricepfister.com  
19701 DaVinci, Lake Forest, CA 92610  
09/5/08

# Price Pfister®

