

Highlights

- Complete Collection with Coordinating Roman Tub and Tub & Shower Options
- Ceramic Disc Valves
- Metal Lever Handles

Code Compliance

Price Pfister products are designed and manufactured in compliance with the following standards and codes:

- IAPMO certified
- ASME A112.18.1
- CSA B125 certified
- ANSI A117.1 (Lever handles only)

48 Series

CONTEMPRA™

4" Centerset Lavatory Faucet

Lever Handle

3-Hole Installation

Ceramic Disc Valves

		T 48-NC00	T 48-NK00
Finishes			
Polished Chrome	x		
Satin Nickel			x

		T 48-NC00	T 48-NK00
Features			
Complete Collection with Coordinating Roman Tub and Tub & Shower Options	x	x	
Metal Lever Handles	x	x	
3-Hole Installation	x	x	
Metal Pop-Up	x	x	
High-Arc Decorative Spout	x	x	
¼ Turn Ceramic Disc Valves	x	x	
Step-By-Step Installation Instructions	x	x	
Pforever Warranty®	x	x	



T48-NC00

T48-NK00

For additional information, please contact your Price Pfister representative, or visit our website at www.pricepfister.com.

Project: _____

Contractor: _____

SS-048-07

1-800-PFAUCET www.pricepfister.com
 19701 DaVinci, Lake Forest, CA 92610
 10/27/06

Price Pfister®
 Pfreshest Ideas in Pfaucets.

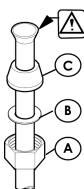
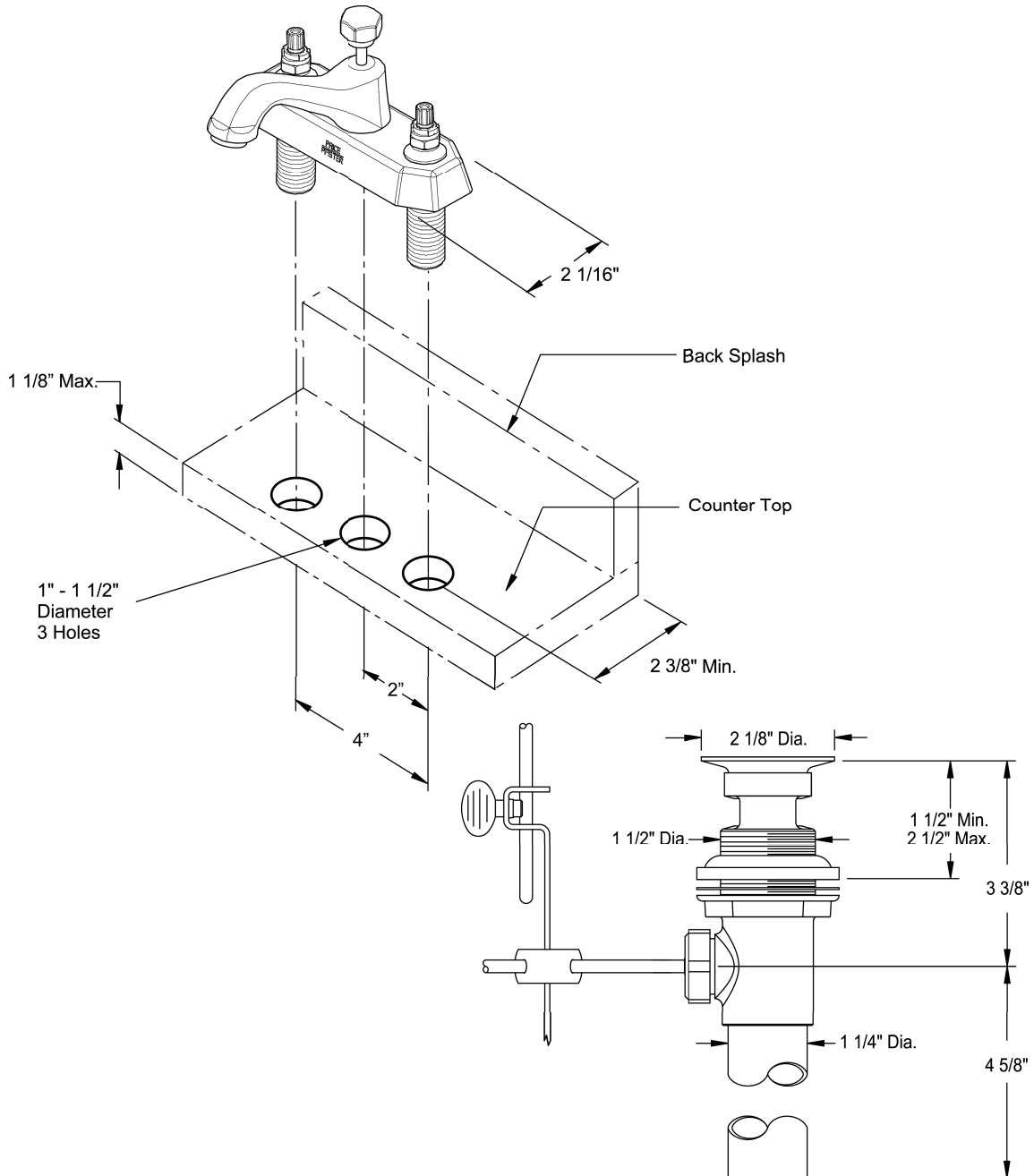
INSTALLATION DIMENSIONS

48 Series

Tribeca™

4" Centerset Lavatory Faucet

Critical Dimensions:	
Air Gap	2 1/2"
Inlet Connection	1/2 - 14 NPSM
Spout Reach	4 11/16"



CAUTION:
When using the compression fittings in this package, with these types of installations, the installer must flare or bead the water supply lines to avoid blow-out conditions. Avoiding such steps in the installation of the unit may result in water damage.

Connect inlet supply lines by assembling brass supply nut (A), friction ring (B) and cone washer (C) onto 3/8" O.D. straight copper tube. Bead or flare. Wrench tighten.

1-800-PFAUCET www.pricepfister.com
19701 DaVinci, Lake Forest, CA 92610
01/8/03

Price Pfister®
Pf freshest Ideas in Pf faucets.

SS-048-06

