

Highlights

- Metal Lever Handles
- 3-Hole Installation
- ¼ Turn Ceramic Disc Valves

Code Compliance

Price Pfister products are designed and manufactured in compliance with the following standards and codes:

- IAPMO certified
- ASME A112.18.1
- CSA B125 certified
- ANSI A117.1 (Lever handles only)

48 Series

PORTLAND™

4" Centerset Lavatory Faucet

- Lever Handles
- 3-Hole Installation
- Ceramic Disc Valves

Finishes	J48-PC00	J48-PK00	T48-PC00	T48-PK00
Polished Chrome	x	x	x	x
Satin Nickel		x		x

Features	J48-PC00	J48-PK00	T48-PC00	T48-PK00
Complete Collection with Coordinating Roman Tub and Tub & Shower Options	x	x	x	x
Metal Lever Handles	x	x	x	x
3-Hole Installation	x	x	x	x
ADA Approved	x	x		
Job Pack Quantities	x	x		
Metal Pop-Up			x	x
50/50 Pop-Up	x	x		
¼ Turn Ceramic Disc Valves	x	x	x	x
Step-By-Step Installation Instructions	x	x	x	x
Pforever Warranty®	x	x	x	x



- J48-PC00
- J48-PK00
- T48-PC00
- T48-PK00

For additional information, please contact your Price Pfister representative, or visit our website at www.pricepfister.com.

Project: _____

Contractor: _____

SS-048-09

1-800-PFAUCET www.pricepfister.com
 19701 DaVinci, Lake Forest, CA 92610
 10/27/06

Price Pfister®
 Pfreshest Ideas in Pfaucets.

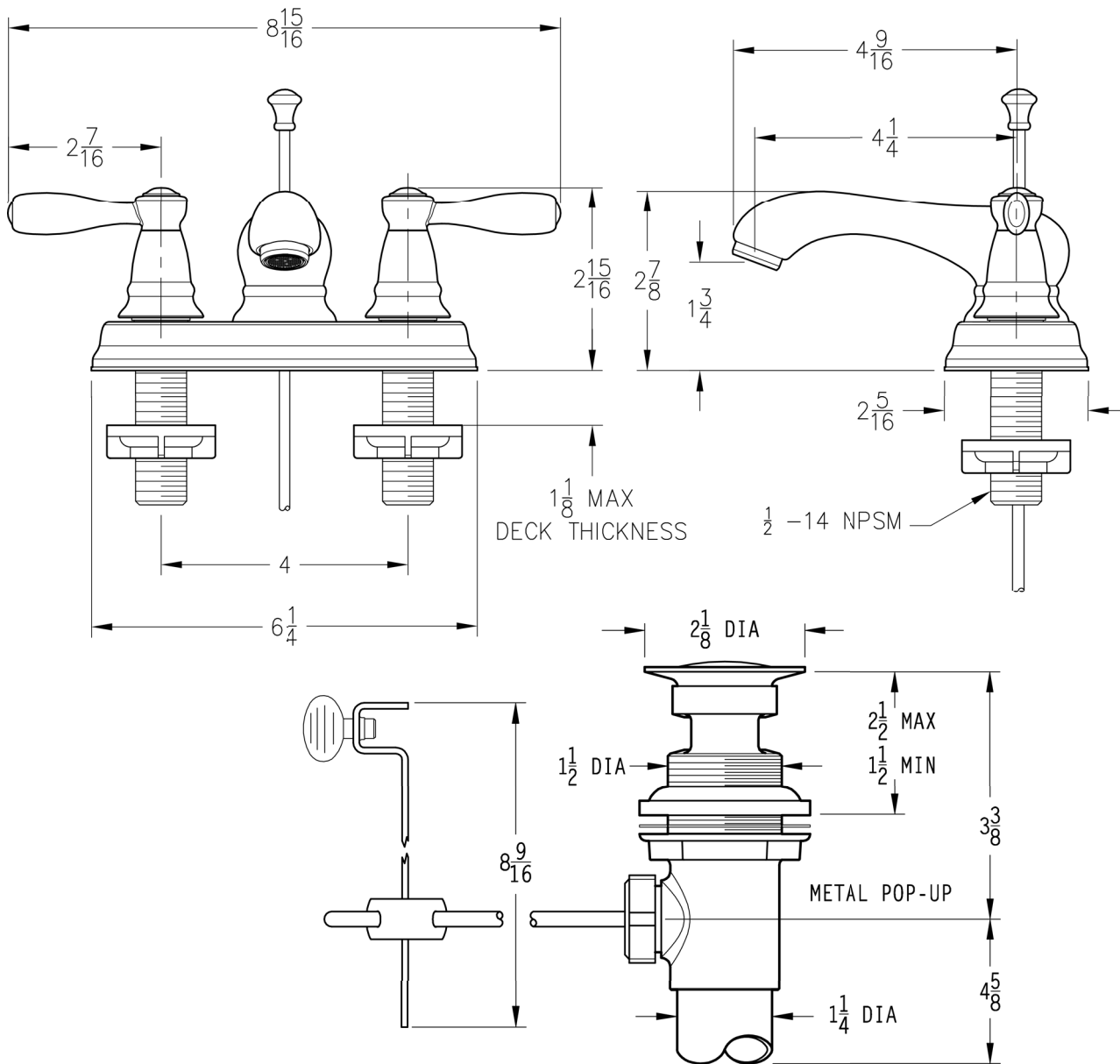
INSTALLATION DIMENSIONS

48 Series

PORTLAND™

4" Centerset Lavatory Faucet

Critical Dimensions:	
Minimum Hole Size	1 1/2 Dia Thru Hole 3 Places
Valve Centerline to Back Splash	2 1/8 Min



CAUTION:
When using the compression fittings in this package, with these types of installations, the installer must flare or bead the water supply lines to avoid blow-out conditions. Avoiding such steps in the installation of the unit may result in water damage.

Connect inlet supply lines by assembling brass supply nut (A), friction ring (B) and cone washer (C) onto 3/8" O.D. straight copper tube. Bead or flare. Wrench tighten.

Dimensions are in Inches

1-800-PFAUCET www.pricepfister.com
19701 DaVinci, Lake Forest, CA 92610
10/27/06

Price Pfister®
Pf freshest Ideas in Pf faucets.