

Highlights

- Ceramic Disc Valves
- Metal Lever Handles
- Complete Collection with Coordinating Roman Tub and Tub & Shower Options

Code Compliance

Price Pfister products are designed and manufactured in compliance with the following standards and codes:

- IAPMO certified
- ASME A112.18.1
- CSA B125 certified
- ANSI A117.1 (Lever handles only)

49 Series
CONTEMPRA™
8"-15" Widespread Faucet

Lever Handles
3-Hole Installation
Ceramic Disc Valves

Finishes	T49-NC00	T49-NK00
Polished Chrome	x	
Satin Nickel		x

Features	T49-NC00	T49-NK00
Complete Collection with Coordinating Roman Tub and Tub & Shower Options	x	x
Metal Lever Handles	x	x
3-Hole Installation	x	x
8"-15" Variable Installation	x	x
ADA Approved	x	x
Metal Pop-Up	x	x
High-Arc Decorative Spout	x	x
1/4 Turn Ceramic Disc Valves	x	x
Step-By-Step Installation Instructions	x	x
Pforever Warranty®	x	x



For additional information, please contact your Price Pfister representative, or visit our website at www.pricepfister.com.

Project: _____

Contractor: _____

SS-049-11

1-800-PFAUCET

www.pricepfister.com
19701 DaVinci, Lake Forest, CA 92610
10/27/06

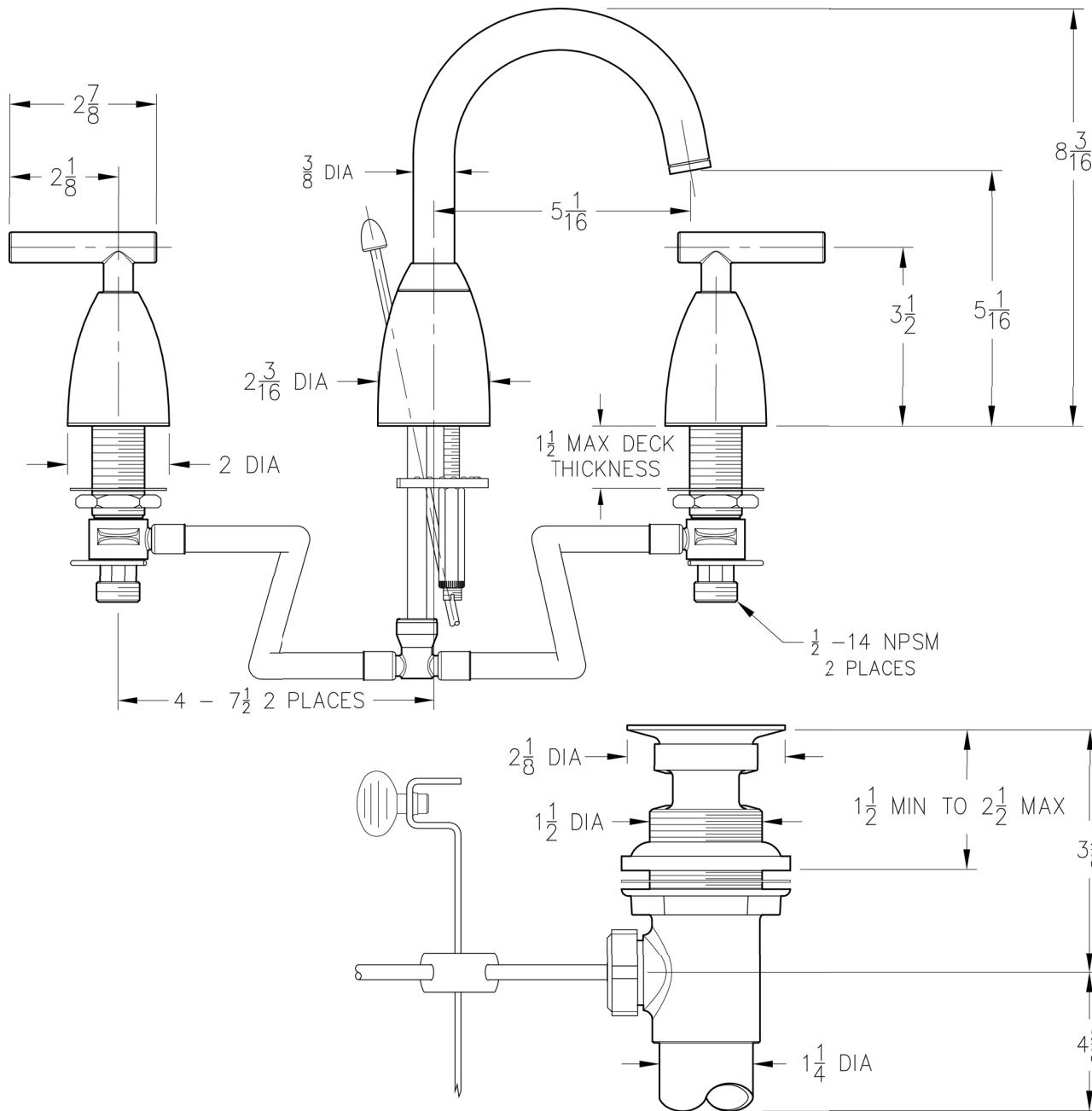
Price Pfister®

Pfreshest Ideas in Pfaucets.

INSTALLATION DIMENSIONS

49 Series CONTEMPRA™ 8"-15" Widespread Faucet

Critical Dimensions:	
Minimum Hole Size	1 1/2 Dia Thru Hole 3 Places
Valve Centerline to Back Splash	2 1/16 Min.



CAUTION:
When using the compression fittings in this package, with these types of installations, the installer must flare or bead the water supply lines to avoid blow-out conditions. Avoiding such steps in the installation of the unit may result in water damage.

Connect inlet supply lines by assembling brass supply nut (A), friction ring (B) and cone washer (C) onto 3/8" O.D. straight copper tube. Bead or flare. Wrench tighten.

Dimensions are in Inches

1-800-PFAUCET www.pricepfister.com
19701 DaVinci, Lake Forest, CA 92610
10/27/06

Price Pfister®
Pf freshest Ideas in Pf faucets.