

Highlights

- ¼ Turn Ceramic Disc Valves
- Metal Pop-Up
- Pforever Warranty®

Code Compliance

Price Pfister products are designed and manufactured in compliance with the following standards and codes:

- IAPMO certified
- ASME A112.18.1
- CSA B125 certified
- ANSI A117.1 (Lever handles only)

49 Series Portola™

Lavatory Faucet

- Lever Handles
- 3-Hole Installation
- ¼ Turn Ceramic Valves

Finishes	T49-RP0C	T49-RP0K	T49-RP0Y
Tuscan Bronze			X
Polished Chrome	X		
Satin Nickel		X	

Features	T49-RP0C	T49-RP0K	T49-RP0Y
Solid Brass Construction	X	X	X
Metal Lever Handles	X	X	X
3-Hole Installation	X	X	X
8"-15" Variable Installation	X	X	X
2.2 gpm (8.33 L/M) Flow Rate	X	X	X
ADA Compliant	X	X	X
Metal Pop-Up	X	X	X
High-Arc Decorative Spout	X	X	X
¼ Turn Ceramic Disc Valves	X	X	X
Pforever Warranty®	X	X	X



- T49-RP0C
- T49-RP0K
- T49-RP0Y

For additional information, please contact your Price Pfister representative, or visit our website at www.pricepfister.com.

Project: _____

Contractor: _____

SS-049-21

1-800-PFAUCET www.pricepfister.com
19701 DaVinci, Lake Forest, CA 92610
08/26/08

Price Pfister®

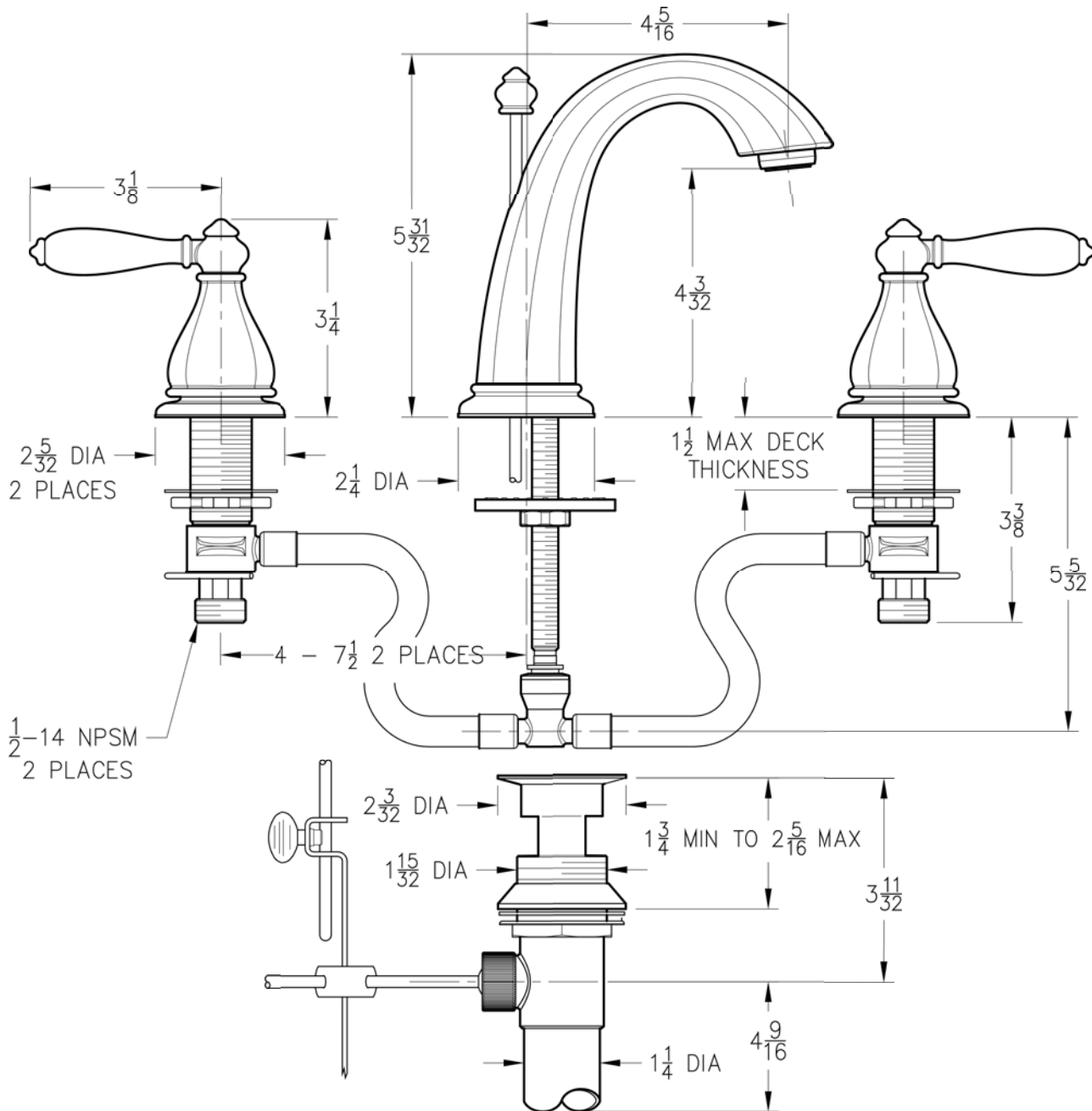
INSTALLATION DIMENSIONS

49 Series

Portola

Lavatory Faucet

Critical Dimensions:	
Minimum Hole Size	1 1/2 DIA Thru Hole 3 Places
Valve Centerline to Finished Wall	2 1/4 MIN



CAUTION:
When using the compression fittings in this package, with these types of installations, the installer must flare or bead the water supply lines to avoid blow-out conditions. Avoiding such steps in the installation of the unit may result in water damage.

Connect inlet supply lines by assembling brass supply nut (A), friction ring (B) and cone washer (C) onto 3/8" O.D. straight copper tube. Bead or flare. Wrench tighten.

Dimensions are in Inches

1-800-PFAUCET www.pricepfister.com
19701 DaVinci, Lake Forest, CA 92610
08/26/08

Price Pfister