

Highlights

- Adjustable spray volume control feature
- Soap/Lotion Dispenser Included
- Ergonomic Spray Head Produces Strong Spray or Aerated Stream

Code Compliance

Price Pfister products are designed and manufactured in compliance with the following standards and codes:

- IAPMO certified
- ASME A112.18.1
- CSA B125 certified
- ANSI A117.1 (Lever handles only)

529 Series

HANOVER

Pull-Out Kitchen Faucet

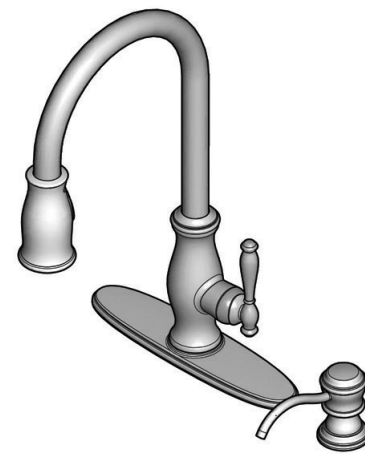
Single Control

2 or 4-Hole Installation

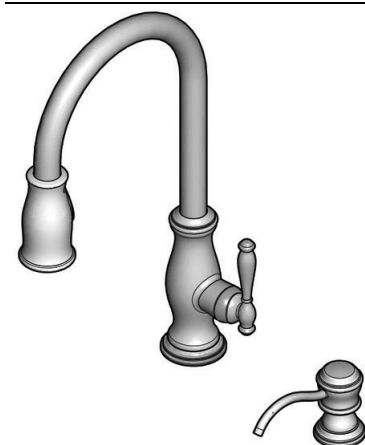
Ceramic Disc Valve

Finishes	T529-TMC	T529-TMS	T529-TMZ
Polished Chrome	x		
Stainless Steel		x	
Oil Rubbed Bronze			x

Features	T529-TMC	T529-TMS	T529-TMZ
Soap/Lotion Dispenser Included	x	x	x
75" pullout hose length	x	x	x
Braided Nylon Reinforced Vinyl Hose	x	x	x
Quick Connect Installation	x	x	x
Reinforced Deck Plate with Integrated Tie-Downs	x	x	x
Accommodates up to 2-1/4" deck thickness	x	x	x
2 or 4-Hole Installation; Includes Both Deck Plate and Single Post Mounting Ring	x	x	x
ADA Approved	x	x	x
360 Degree Swivel Spout for Custom Handle Positioning	x	x	x
Adjustable spray volume control feature	x	x	x
Ergonomic Spray Head Produces Strong Spray or Aerated Stream	x	x	x
Single Control Ceramic Disc Valve	x	x	x
Step-By-Step Installation Instructions	x	x	x
Pforever Warranty®	x	x	x



- T529-TMC
- T529-TMS
- T529-TMZ



For additional information, please contact your Price Pfister representative, or visit our website at www.pricepfister.com.

Project: _____

Contractor: _____

SS-529-01

1-800-PFAUCET www.pricepfister.com
 19701 DaVinci, Lake Forest, CA 92610
 10/27/06

Price Pfister®

Pf freshest Ideas in Pf faucets.

INSTALLATION DIMENSIONS

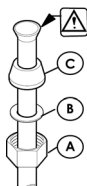
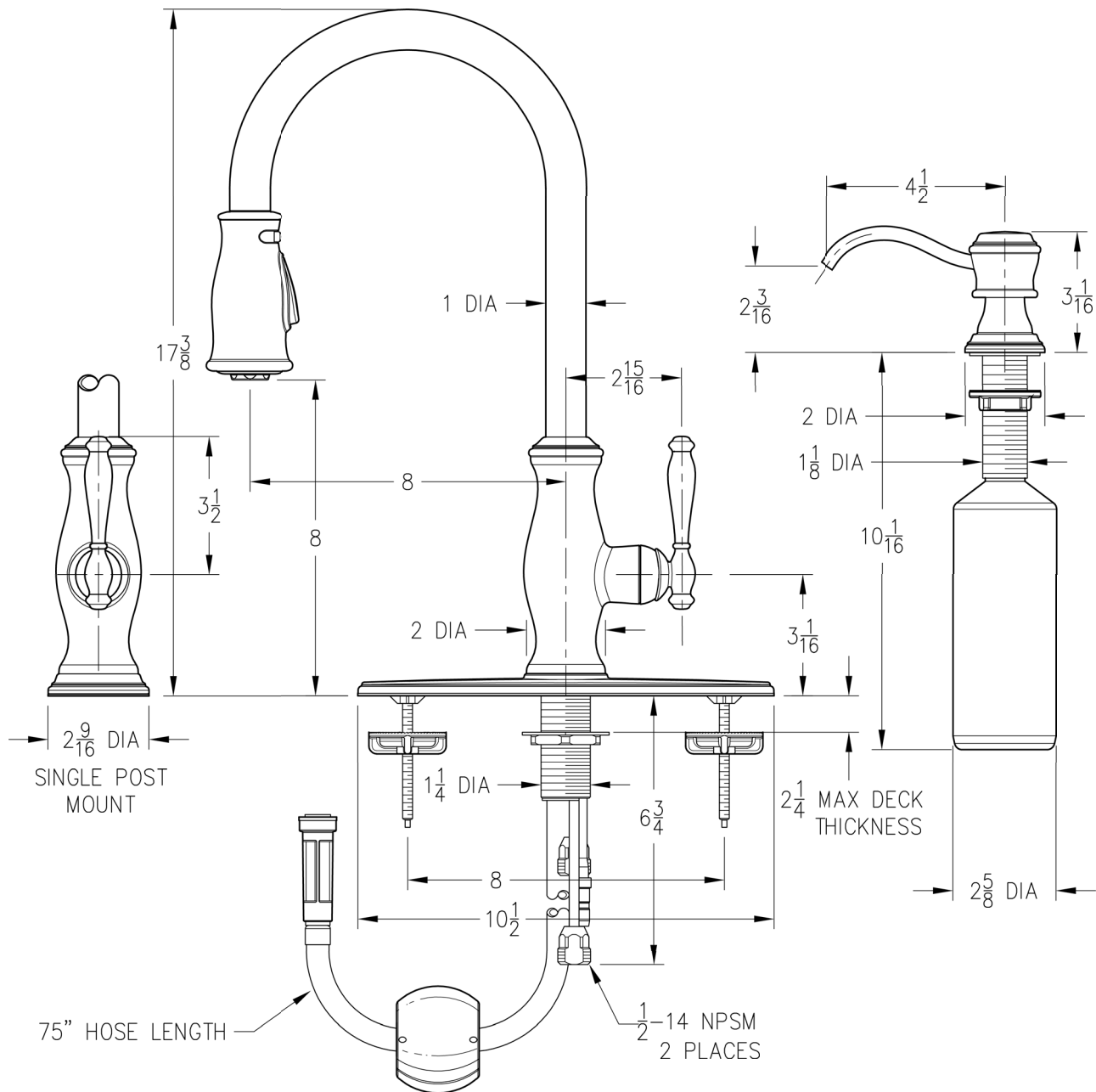
529 Series

HANOVER

Pull-Out Kitchen Faucet

Critical Dimensions:

Minimum Hole Size	1 1/2 Dia Thru Holes
-------------------	----------------------



CAUTION:
When using the compression fittings in this package, with these types of installations, the installer must flare or bead the water supply lines to avoid blow-out conditions. Avoiding such steps in the installation of the unit may result in water damage.

Connect inlet supply lines by assembling brass supply nut (A), friction ring (B) and cone washer (C) onto 3/8" O.D. straight copper tube. Bead or flare. Wrench tighten.

Dimensions are in Inches

1-800-PFAUCET www.pricepfister.com
19701 DaVinci, Lake Forest, CA 92610
10/27/06

Price Pfister®
Pf Pfreshest Ideas in Pf faucets.

SS-529-01

