

Highlights

- 1 or 3-Hole Installation; Deck Plate or Single Hole Mounting Option
- Ceramic Disc Valves
- Solid Brass Construction

Code Compliance

Price Pfister products are designed and manufactured in compliance with the following standards and codes:

- IAPMO certified
- ASME A112.18.1
- CSA B125 certified
- ANSI A117.1 (Lever handles only)

533 Series

Genesis®

Pull-Out Kitchen Faucet

Single Control

1 or 3-Hole Installation

Ceramic Disc Valve

Finishes	T533-5BB	T533-5CC	T533-5CW	T533-5SS	T533-5WW	T533-BLS
Polished Chrome	x	x				
White					x	
Stainless Steel			x			
Biscuit	x					
Black with Stainless Steel Accents						x

Features	T533-5BB	T533-5CC	T533-5CW	T533-5SS	T533-5WW	T533-BLS
Deckplate with Tie-Downs	x	x	x	x	x	x
Solid Brass Construction	x	x	x	x	x	x
Loop Handle	x	x	x	x	x	x
1 or 3-Hole Installation; Deck Plate or Single Hole Mounting Option	x	x	x	x	x	x
ADA Approved	x	x	x	x	x	x
Easy Grip Wand Produces Strong Spray or Aerated Stream	x	x	x	x	x	x
Stainless Steel Pull-Out Hose	x	x	x	x	x	x
Biscuit Spray	x					
Chrome Spray		x				
Stainless Steel Spray			x			x
White Spray			x		x	
Integrated Vacuum Breaker	x	x	x	x	x	x
Single Control Ceramic Disc Valve	x	x	x	x	x	x
Step-By-Step Installation Instructions	x	x	x	x	x	x
Pforever Warranty®	x	x	x	x	x	x



- T533-5BB
- T533-5CC
- T533-5CW
- T533-5SS
- T533-5WW
- T533-BLS

For additional information, please contact your Price Pfister representative, or visit our website at www.pricepfister.com.

Project: _____

Contractor: _____

SS-533-01

1-800-PFAUCET www.pricepfister.com
 19701 DaVinci, Lake Forest, CA 92610
 10/27/06

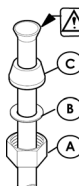
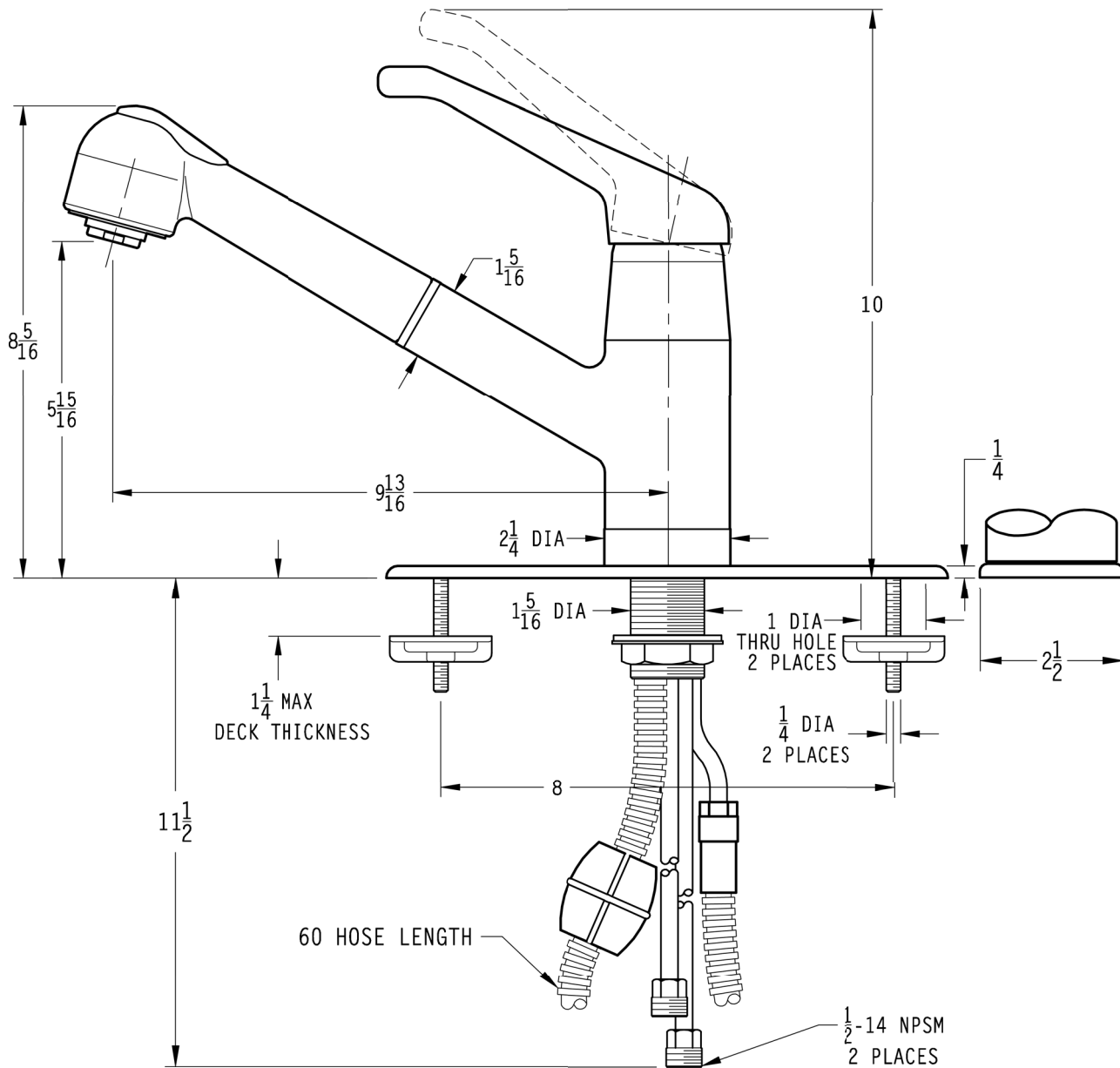
Price Pfister®
 Pfreshest Ideas in Pfaucets.

INSTALLATION DIMENSIONS

533 Series

Genesis®

Pull-Out Kitchen Faucet



CAUTION:
When using the compression fittings in this package, with these types of installations, the installer must flare or bead the water supply lines to avoid blow-out conditions. Avoiding such steps in the installation of the unit may result in water damage.

Connect inlet supply lines by assembling brass supply nut (A), friction ring (B) and cone washer (C) onto 3/8" O.D. straight copper tube. Bead or flare. Wrench tighten.

Dimensions are in Inches

1-800-PFAUCET www.pricepfister.com
19701 DaVinci, Lake Forest, CA 92610
10/27/06

Price Pfister®
Pf freshest Ideas in Pf faucets.

SS-533-01

