

Highlights

- 1/2" Thermostatic Shower Valve Featuring Ceramic Discs
- Dual 1/2" I.P. or 1/2" Copper Sweat Connections
- Pforever Warranty®

Code Compliance

Price Pfister products are designed and manufactured in compliance with the following standards and codes:

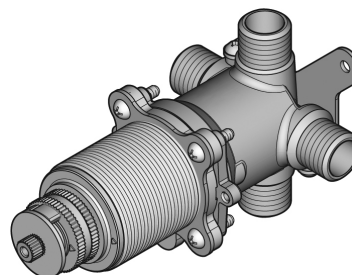
- IAPMO certified • ASME A112.18.1
- CSA B125 certified • ANSI A117.1 (Lever handles only)

Tub & Shower Valve

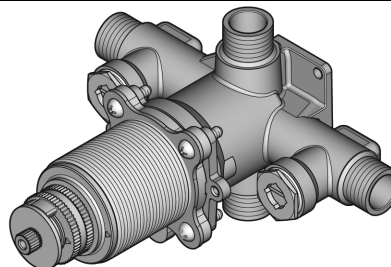
Thermostatic Valve

Finishes	TX8-310A	TX8-340A
Unfinished	X	X

Features	TX8-310A	TX8-340A
Dual 1/2" I.P. or 1/2" Copper Sweat Connections	X	X
1/2" Thermostatic Shower Valve Featuring Ceramic Discs	X	X
Integral Stops		X
Step-By-Step Installation Instructions	X	X
Pforever Warranty®	X	X



TX8-310A



TX8-340A

For additional information, please contact your Price Pfister representative, or visit our website at www.pricepfister.com.

Project: _____

Contractor: _____

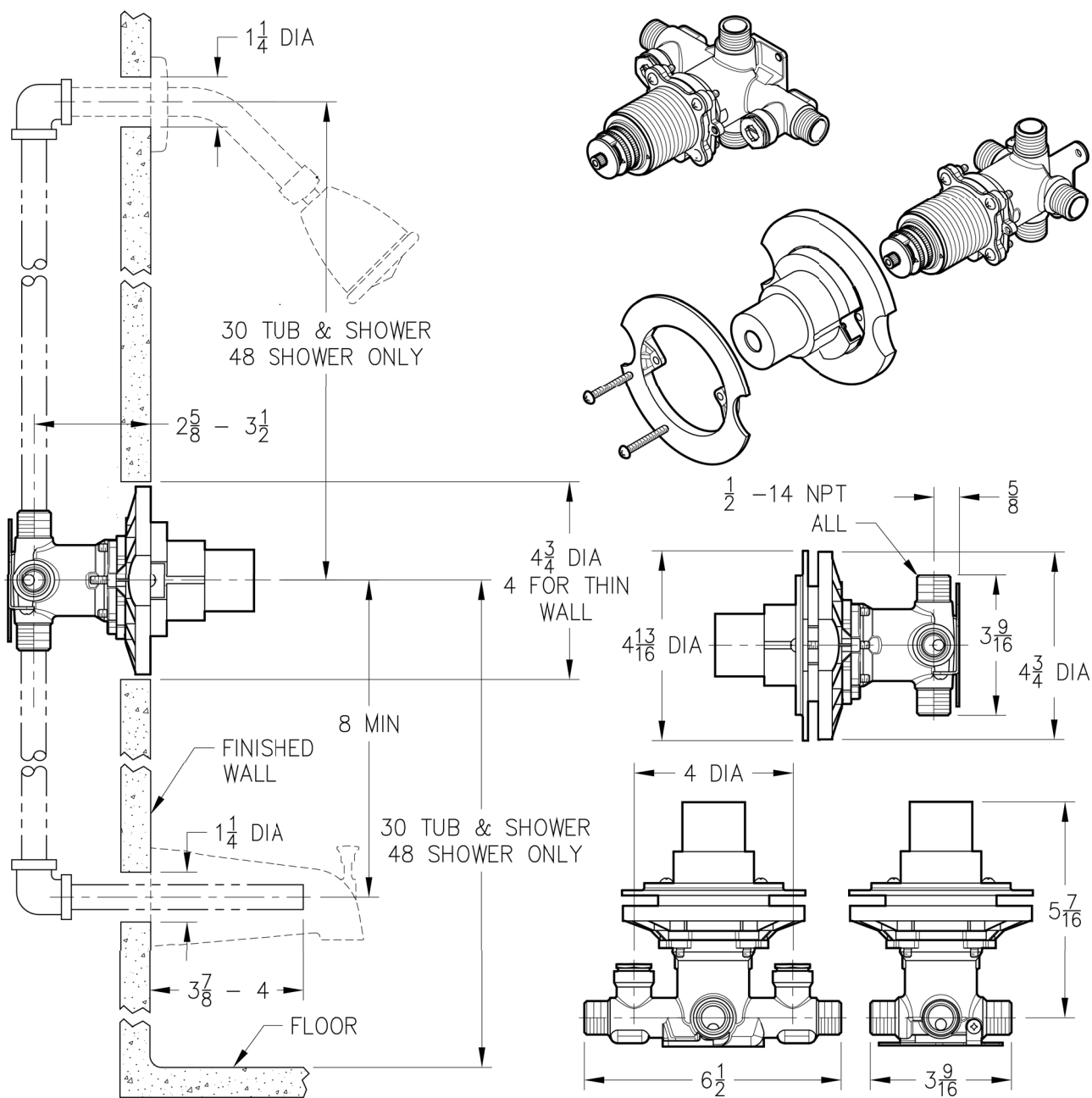
SS-TX8-01

1-800-PFAUCET www.pricepfister.com
 19701 DaVinci, Lake Forest, CA 92610
 07/16/08

Price Pfister®

INSTALLATION DIMENSIONS

Tub & Shower Valve



Dimensions are in Inches

1-800-PFAUCET www.pricepfister.com
 19701 DaVinci, Lake Forest, CA 92610
 07/16/08

Price Pfister®

SS-TX8-01

