

Specifications

Features

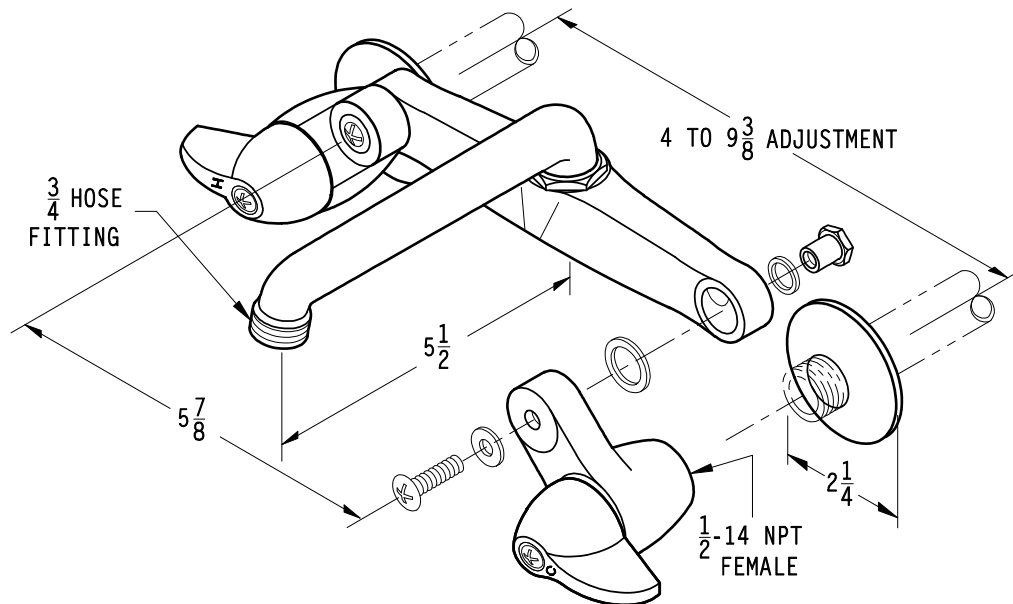
- 2.2 GPM Flow Rate
- Adjustable Install 4" to 9-3/8"
- 3/4" Hose Fitting
- Compression Valves
- Swivel Spout
- All Metal Construction
- Pforever Warranty™

Code Compliance

Pfister products are designed and manufactured in compliance with the following standards and codes:

- IAPMO Certified
- CSA B125 Certified
- ASME A112.18.1

Dimensions



Ø1-3/8 Min to Ø1-1/2 Max. Deck Hole Opening

Pipe Protruding From Wall-1 Max.