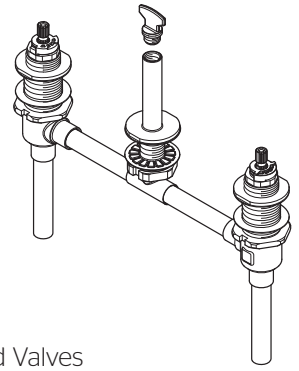


Pfirst Series™ Roman Tub Valve

OX6-050R Finish(XX)
 JX6-050R Finish(XX)



Specifications

Features

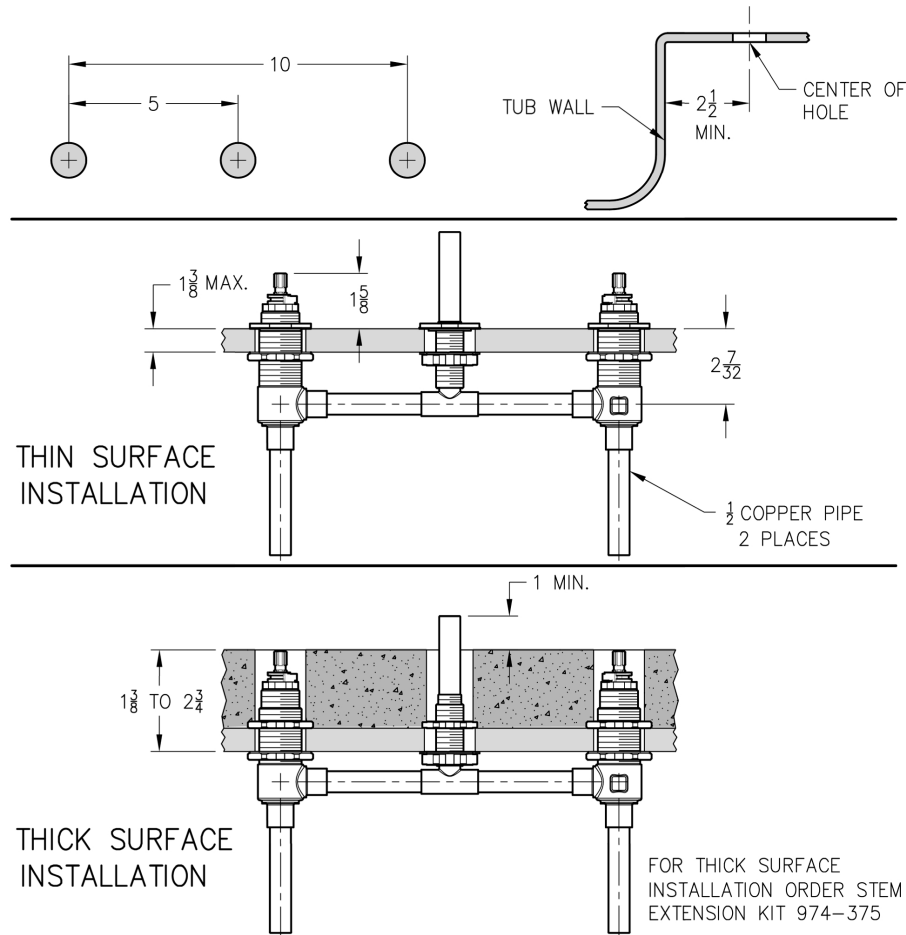
- 15 GPM @ 45 PSI
- Valve Only
- Fixed Underbody
- 1/2" Copper Sweat Connections
- 3-Hole Installation
- Job Pack of 6 (JX6 Only)
- 10" Fixed Body
- Includes Inlet Line Test Plug
- Reversible Hot or Cold Valves
- Pforever Seal Ceramic Disc Valves
- Limited Lifetime Warranty

Code Compliance

Pfister products are designed and manufactured in compliance with the following standards and codes:

- IAPMO Certified to ASME A112.18.1/CSA B125.1

Dimensions



Min. Hole Size-Ø1-1/4 DIA Valve Centerline to Finished Wall-Ø2-1/2 Min.