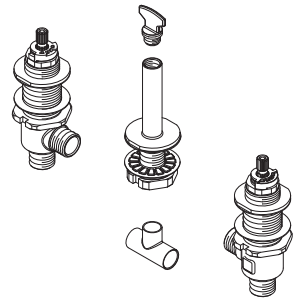


OX6-150R Finish(XX)
JX6-150R Finish(XX)



- 3-Hole Installation
- Valve Only
- Flexible Installation Options
- Pforever Seal

Specifications

Features

- 15 GPM @ 45 PSI
- Dual 1/2" I.P. or 1/2" Copper Sweat Connections
- Flexible Installation Options
- Job Pack of 12 (JX6 Only)
- Pforever Seal Ceramic Disc Valves
- Valve Only
- Includes Inlet Line Test Plug
- Loose Body
- Reversible Hot or Cold Valves
- Doesn't Include Supply Lines (Order 971-021 Separately)
- Threaded Brass Tee Available (Order 950-230 Separately)
- Limited Lifetime Warranty

Code Compliance

Pfister products are designed and manufactured in compliance with the following standards and codes:

- IAPMO Certified to ASME A112.18.1/CSA B125.1

Dimensions

