

- 4-Hole Installation
- Valve Only
- For Roman Tub Faucets

## Specifications

### Features

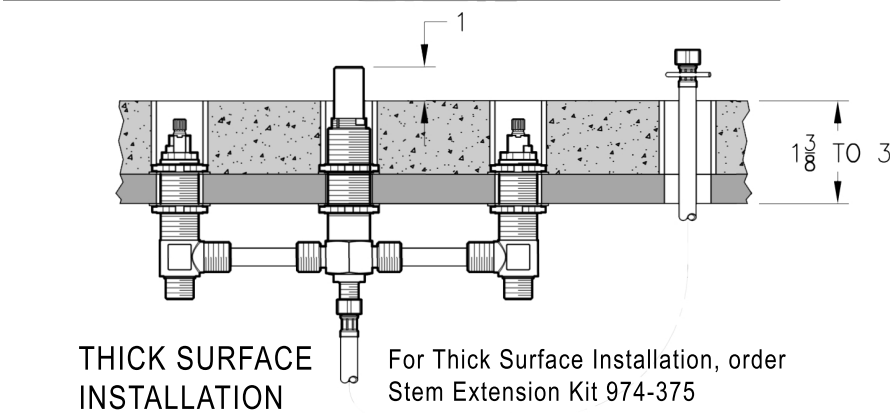
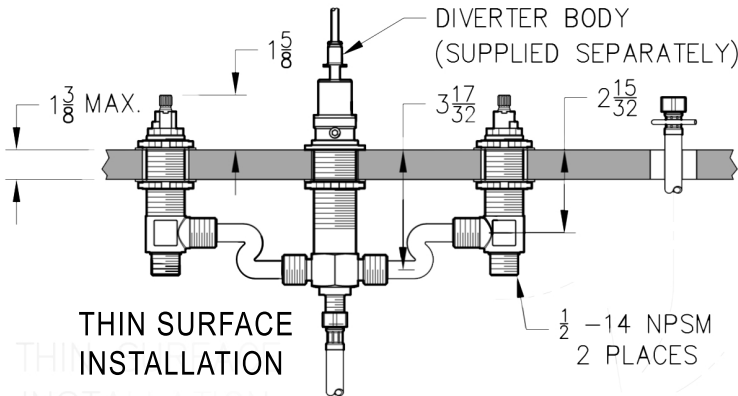
- 15 GPM @ 45 PSI
- For Roman Tub Faucets
- Dual 1/2" I.P. or 1/2" Copper Sweat Connections
- Doesn't Include Supply Lines (Order 971-021 Separately)
- 4-Hole Installation
- Trim Sold Separately
- Pforever Seal Ceramic Disc Valves
- Limited Lifetime Warranty

### Code Compliance

Pfister products are designed and manufactured in compliance with the following standards and codes:

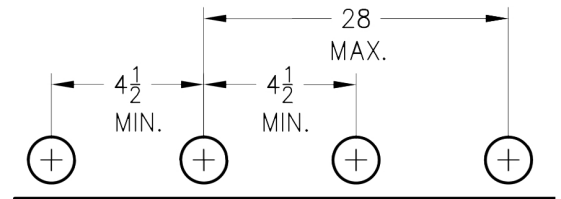
- IAPMO Certified to ASME A112.18.1/CSA B125.1

## Dimensions

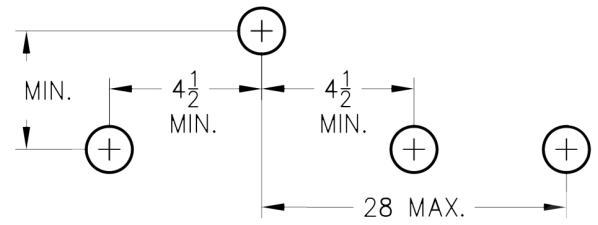


Min. Hole Size-Ø1-1/4 DIA

### INLINE INSTALLATION



### OFFSET INSTALLATION



### CUSTOM INSTALLATION

