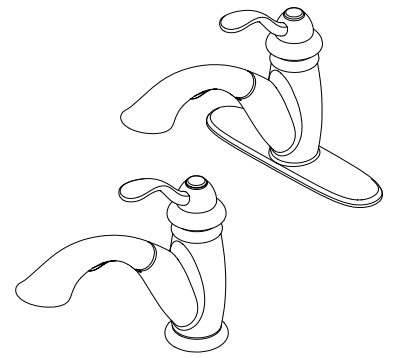


- |   |  |
|---|--|
| GT532-7CC Finish(CC) <input type="checkbox"/> | T532-7CC Finish(CC) <input type="checkbox"/> |
| GT532-7SS Finish(SS) <input type="checkbox"/> | T532-7SS Finish(SS) <input type="checkbox"/> |
| GT532-7YY Finish(YY) <input type="checkbox"/> | T532-7YY Finish(YY) <input type="checkbox"/> |



- Single Control
- 1 or 3-Hole Installation
- Pforever Seal
- Comfort Spray™ with Three-Function Spray Head

## Specifications

### Features

- MatchMakers® Accessories Available
- Solid Brass Construction
- Temperature Memory Feature Retains Desired Temperature Setting
- Reinforced Deck Plate with Integrated Tie-Downs
- Up to 2 1/2" of Deck Clearance
- 1 or 3-Hole Installation; Deck Plate or Single Hole Mounting Option
- 2.2 GPM (8.33 L/M) Flow Rate
- Decorative Arc Spout
- One Touch Pull-Out Spray Activation
- Stainless Steel Pull-Out Hose
- Integrated Vacuum Breaker
- Pforever Seal Ceramic Disc Valve
- Pforever Warranty®

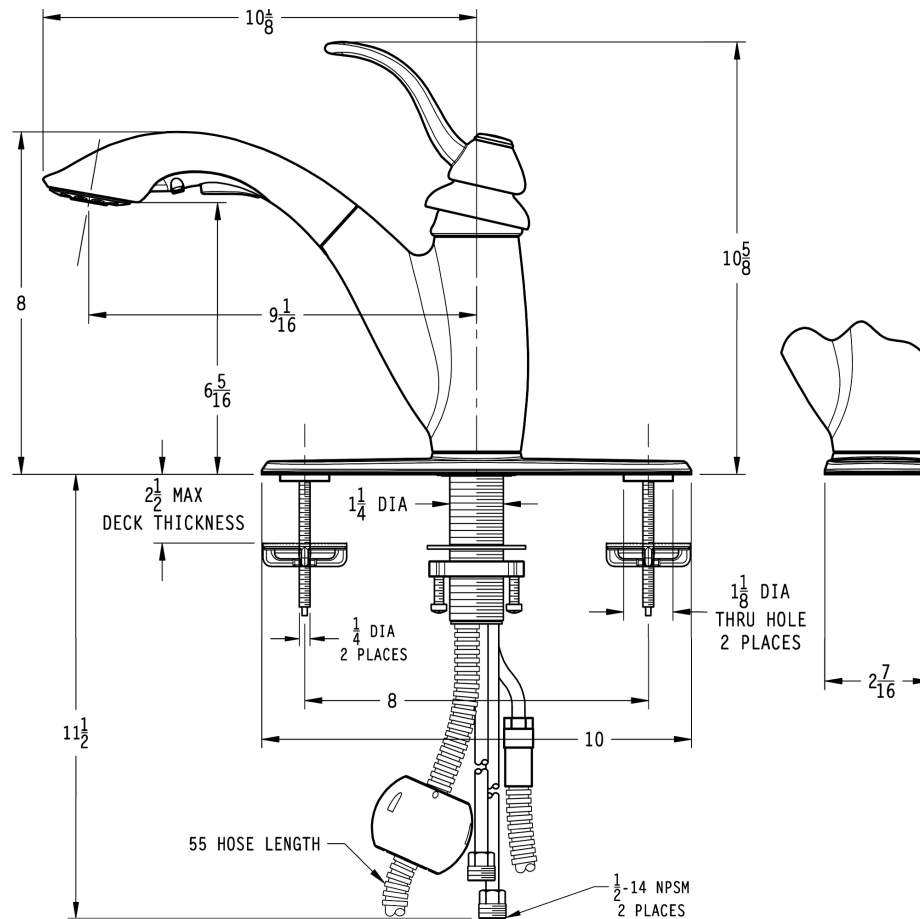
### Code Compliance

Pfister products are designed and manufactured in compliance with the following standards and codes:

- IAPMO Certified
- CSA B125 Certified
- ASME A112.18.1
- NSF 61/9 Annex G (Low lead)
- ADA Compliant-ANSI A117.1 (Lever handles only)



## Dimensions



Ø1-3/8 Min to Ø1-1/2 Max. Deck Hole Openings