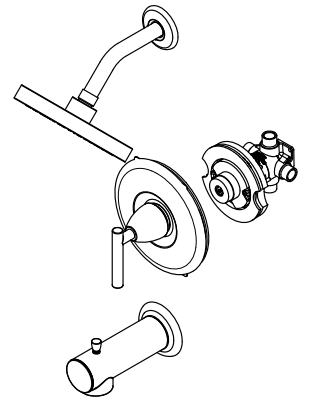


808-NC10 Finish(C)

808-NK10 Finish(K)



Specifications

Features

- 2.5 GPM Flow Rate (Showerhead)
- Includes OX8 Valve
- Brass Ball Joint
- Quick Trim Install
- Pressure Balanced Valve Included
- Pforever Warranty®

Code Compliance

Pfister products are designed and manufactured in compliance with the following standards and codes:

- IAPMO Certified
- CSA B125 Certified
- ASME A112.18.1
- ADA Compliant-ANSI A117.1 (Lever handles only)



Dimensions

