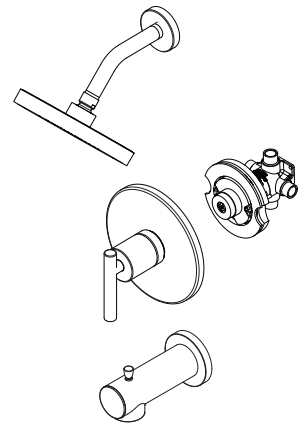


8P8-FTCC Finish(CC)

8P8-FTKK Finish(KK)



Specifications

- Pforever Seal

Features

- 2.0 GPM Flow Rate (Showerhead)
- Brass Ball Joint
- Easy To Clean Nozzles
- One-Function Shower Head
- SecurePfit™ Trim With Anti Handle Wobble
- Raincan Showerhead
- Pforever Seal Ceramic Disc Valve
- Pressure Balanced Valve Included
- Pforever Warranty®

Code Compliance

Pfister products are designed and manufactured in compliance with the following standards and codes:

- IAPMO Certified
- CSA B125 Certified
- ASME A112.18.1
- ADA Compliant-ANSI A117.1 (Lever handles only)
- EPA WaterSense Certification 2.0 gpm, 7.6 L/Min



Dimensions

