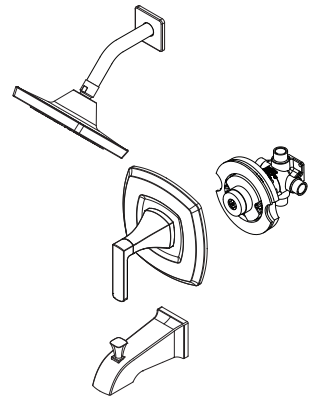


- 8P8-PESB Finish(B)
- 8P8-PESC Finish(C)
- 8P8-PESGS Finish(GS)



## Specifications

### Features

- 2.5 GPM (Showerhead)
- Brass Ball Joint
- Ceramic Disc Pforever Seal
- Easy to Clean Nozzles
- Includes OX8 Valve
- Single Function Showerhead
- Spot Defense™ Finish Resists Spots and Fingerprints (GS Finish Only)
- SecurePfit™ with Anti-Handle Wobble
- Temperature Limit Stop
- Pressure Balanced
- Pforever Warranty®

- SecurePfit™
- Perfect Temp
- Pressure Balanced Valve Included

### Code Compliance

Pfister products are designed and manufactured in compliance with the following standards and codes:

- IAPMO Certified
- CSA B125 Certified
- ASME A112.18.1

## Dimensions

