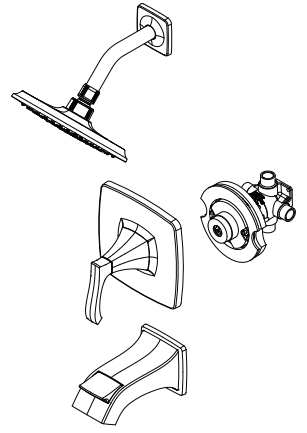


8P8-WS-VNSC Finish(C)\*

8P8-WS-VNSK Finish(K)

\*International Only



## Specifications

### Features

- 2.0 GPM Flow Rate
- Pressure Balanced
- PVD Finish (K Finish Only)
- Raincan Showerhead
- Temperature Control
- SecurePfit™
- Unique Ribbon Waterflow Delivery Spout

- Includes OX8 Valve
- Pforever Seal Ceramic Disc Valve
- Pforever Warranty®

### Code Compliance

Pfister products are designed and manufactured in compliance with the following standards and codes:

- IAPMO Certified
- CSA B125 Certified
- ASME A112.18.1
- ASSE 1016
- Cal Green Compliant
- CEC Compliant
- EPA WaterSense Certification 2.0 gpm, 7.6L/Min
- ADA Compliant-ANSI A117.1 (Lever handles only)



## Dimensions

