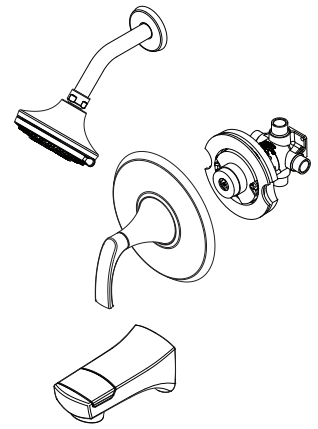


Tub & Shower Trim with Valve

- 8P8-WS2-KASB Finish(B)
- 8P8-WS2-KASC Finish(C)
- 8P8-WS2-KASBG Finish(BG)



- Includes OX8 Valve
- SecurePfit™
- Pforever Seal™

Specifications

Features

- 1.8 GPM Flow Rate
- Brass Ball Joint
- Easy to Clean Nozzles
- SecurePfit™ with Anti Handle Wobble
- Includes OX8 Valve
- Quick Connect Tub Spout
- Temperature Limit Stop
- 3 Function Showerhead (Full Spray, Massage, Restore™ Customizable Spray Technology)
- Spot Defense™ Finish Resists Spots and Fingerprints (GS Finish Only)
- Perfect Temp
- Pressure Balanced Valve Included
- Pforever Seal™ Ceramic Disc Valve
- Limited Lifetime Warranty

Code Compliance

Pfister products are designed and manufactured in compliance with the following standards and codes:

- IAPMO Certified to ASME A112.18.1/CSA B125.1 including:
 - ASSE 1016
- EPA WaterSense Certified
- CEC Certified/CALGreen compliant
- ADA Compliant - ANSI A117.1 (Lever Handle Only)



Dimensions

