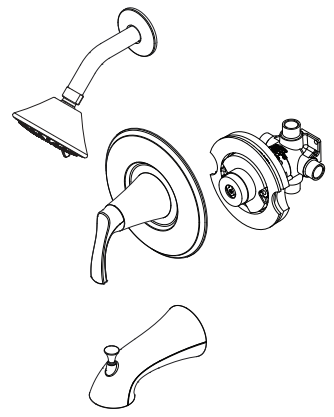


- 8P8-WS2-MCSC Finish(C)
- 8P8-WS2-MCSK Finish(K)
- 8P8-WS2-MCSY Finish(Y)



Specifications

Features

- 1.8 GPM Flow Rate (Showerhead)
- 3 Function Showerhead (Full Spray, Massage, and Full Spray/Massage Combo)
- SecurePfit™ with Anti Handle Wobble
- Includes OX8 Valve
- Temperature Limit Stop
- Pressure Balanced Valve Included
- Pforever Seal™ Ceramic Disc Valve
- Limited Lifetime Warranty

- SecurePfit™
- Includes Valve
- Pforever Seal™

Code Compliance

Pfister products are designed and manufactured in compliance with the following standards and codes:

- IAPMO Certified to ASME A112.18.1/CSA B125.1 including:
 - ASME A112.18.3 (Backflow Prevention)
 - ASSE 1016
- EPA WaterSense Certified
- CEC Certified/CALGreen compliant
- ADA Compliant - ANSI A117.1 (Lever Handle Only)



Dimensions

