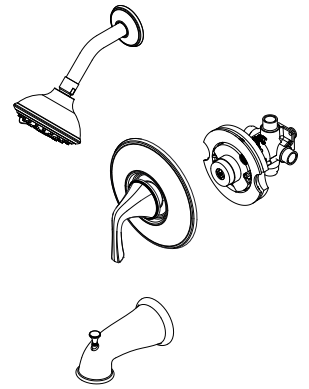


8P8-WS2-SLCC Finish(CC)

8P8-WS2-SLKK Finish(KK)



## Specifications

### Features

- 1.8 GPM Flow Rate (Shower Head)
- Multi-Function Shower Head (5 Functions)
- Includes OX8 Valve
- Pressure Balanced Valve Included
- Pforever Seal Ceramic Disc Valve
- PVD Finish (K Finish Only)
- Temperature Control Only
- Pforever Warranty®

### Code Compliance

Pfister products are designed and manufactured in compliance with the following standards and codes:

- IAPMO Certified
- CSA B125 Certified
- ASME A112.18.1
- Cal Green Compliant
- CEC Compliant
- ADA Compliant-ANSI A117.1 (Lever handles only)
- EPA WaterSense Certification 1.8 gpm, 6.8 L/Min



## Dimensions

