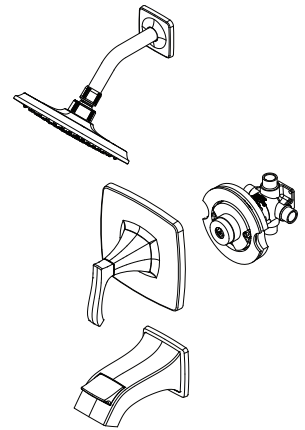


## Venturi™ Tub & Shower Trim with Valve

- 8P8-WS2-VNSB Finish(B)
- 8P8-WS2-VNSC Finish(C)
- 8P8-WS2-VNSGS Finish(GS)
- 8P8-WS2-VNSY Finish(Y)



### Specifications

#### Features

- 1.8 GPM Flow Rate (Showerhead)
- Raincan Showerhead
- SecurePfit™ with Anti Handle Wobble
- Includes OX8 Valve
- Unique Ribbon Waterflow Delivery Spout
- Pressure Balanced Valve Included
- Spot Defense Finish Resists Spots and Fingerprints (GS Finish Only)
- Temperature Control
- Pforever Seal Ceramic Disc Valve
- Pforever Warranty®

#### Code Compliance

Pfister products are designed and manufactured in compliance with the following standards and codes:

- IAPMO Certified
- CSA B125 Certified
- ASME A112.18.1
- ASSE 1016
- Cal Green Compliant
- CEC Compliant
- ADA Compliant-ANSI A171.1 (Lever handles only)
- EPA WaterSense Certification 1.8 gpm, 6.8L/Min



### Dimensions

