

### Specifications

- Single Control
- 2 or 4-Hole Installation
- Pforever Seal

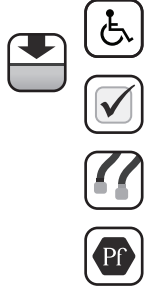
### Features

- Quick Install Tool Included
- 2 or 4-Hole Installation; Includes Both Deck Plate and Single Post Mounting Ring
- Swivel Spout
- Includes Matching Side Spray
- Pforever Seal Ceramic Disc Valve
- Pforever Warranty®

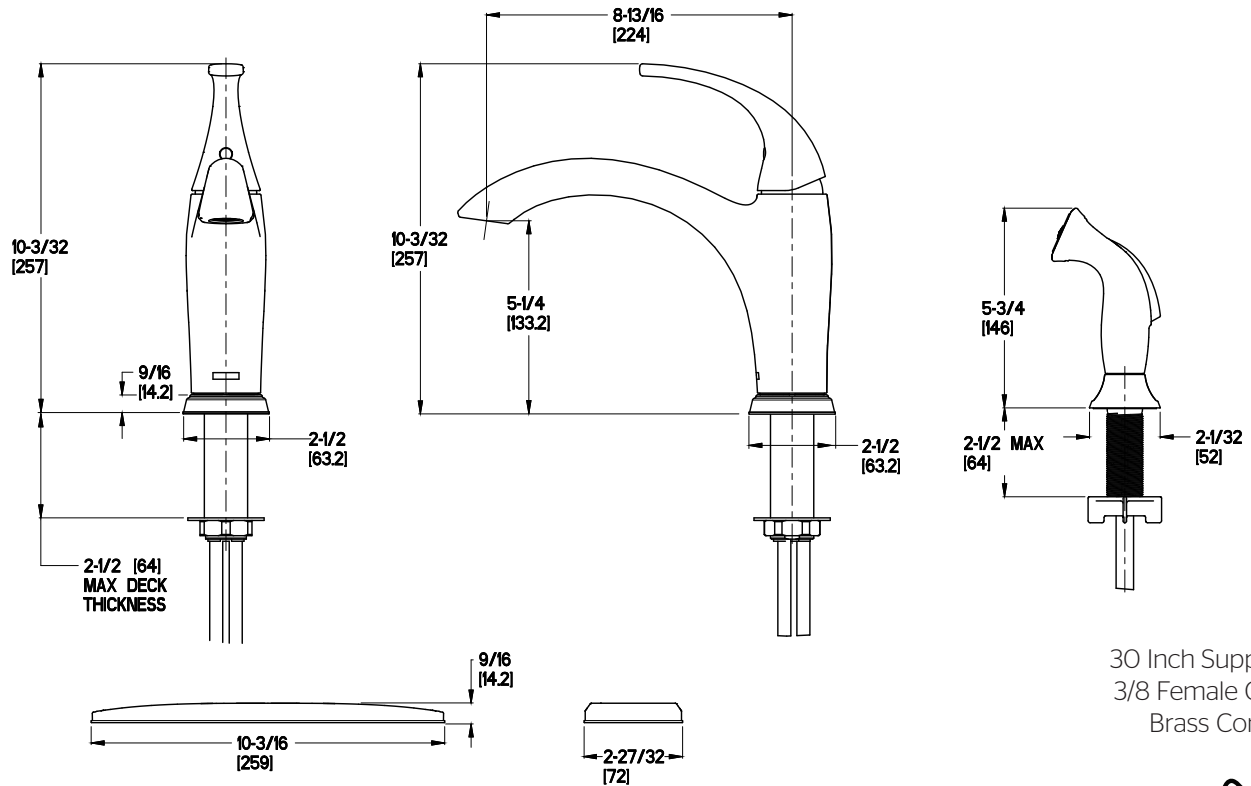
### Code Compliance

Pfister products are designed and manufactured in compliance with the following standards and codes:

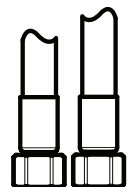
- IAPMO Certified
- CSA B125 Certified
- ASME A112.18.1
- NSF 61/9 Annex G (Low lead)
- ADA Compliant-ANSI A117.1 (Lever handles only)



### Dimensions



30 Inch Supply Lines with  
3/8 Female Compression  
Brass Connections



Ø1-3/8 Min to Ø1-1/2 Max. Deck Hole Openings