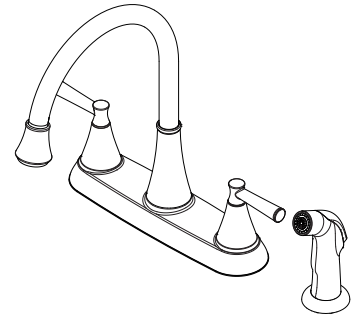


F-036-4CRC Finish(C)

F-036-4CRS Finish(S)



## Specifications

### Features

- 0.9 GPM Eco Rinse, 1.8 MAX GPM
- 360° Swivel Spout
- Fixed Hub
- High Arc Spout
- Installs With or Without Side Spray
- Mounting Hardware Included
- Pfast Connect
- PVD Finish (S Finish Only)
- TiteSeal™ Deck Plate
- Tri-Flow™ with Eco Option (Stream, Spray, EcoRinse™)
- Pforever Warranty®

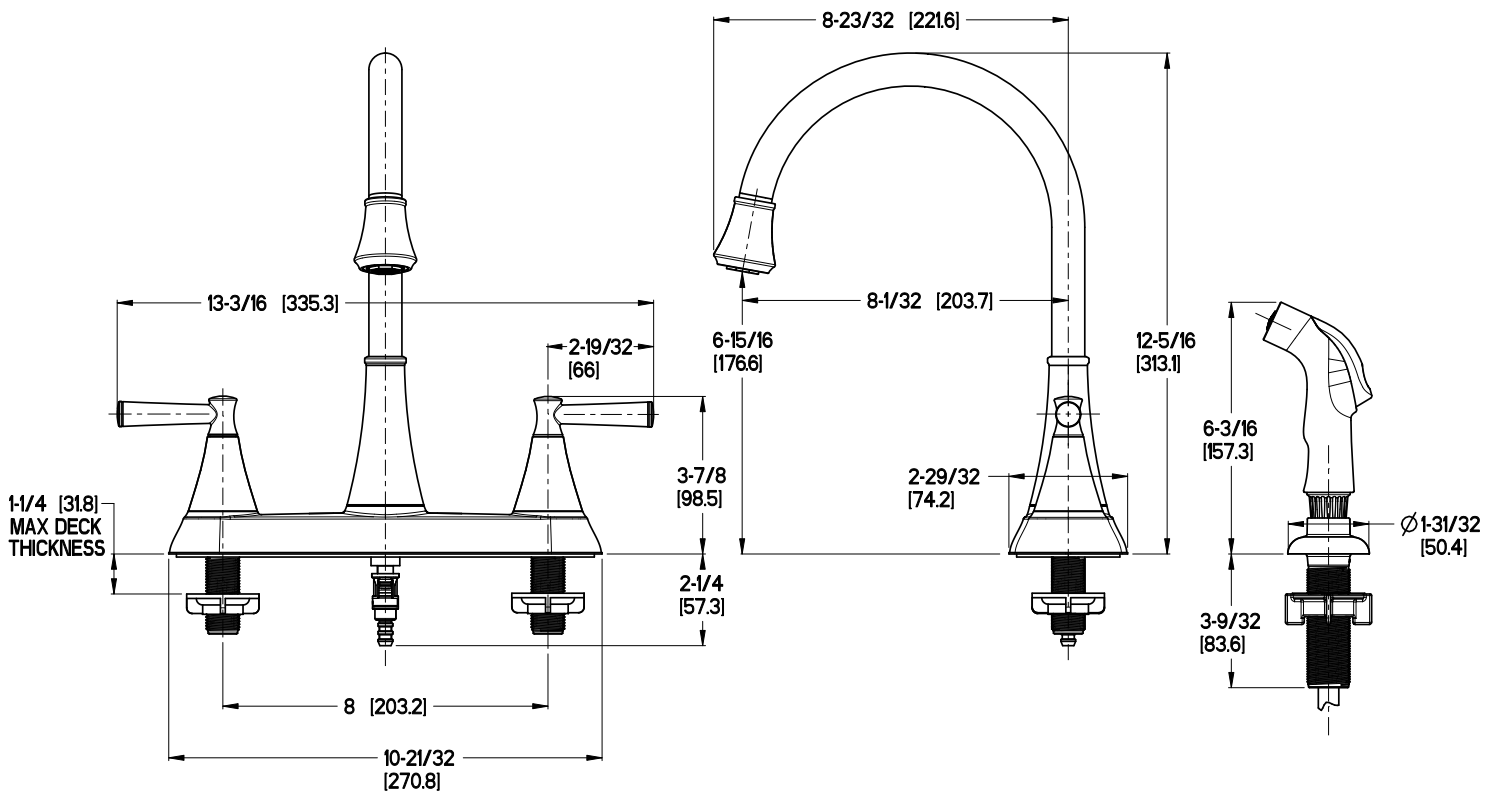
### Code Compliance

Pfister products are designed and manufactured in compliance with the following standards and codes:

- IAPMO Certified
- CSA B125 Certified
- ASME A112.18.1
- Cal Green Compliant
- CEC Compliant
- NSF 61/9 Annex G (Low lead)
- ADA Compliant-ANSI A117.1 (Lever handles only)
- ASME A112.18.3 (Backflow Prevention)



## Dimensions



Ø1-3/8 Min to Ø1-1/2 Max. Deck Hole Openings

\*supply lines not included  
1/2" male OD connection at faucet