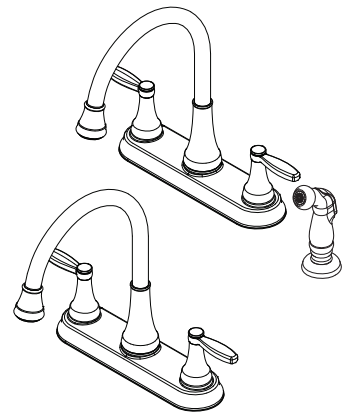


F-036-3GFS Finish(SS)*

F-036-4GFS Finish(SS)

F-036-4GFY Finish(Y)

*International Only



Specifications

Features

- .09 GPM Eco Rinse 1.8 MAX GPM
- 3 or 4-Hole Installation
- High Arc Spout
- Installs With or Without Side Spray
- 360° Swivel Spout
- TiteSeal™ Deck Plate
- Tri-Flow™ with Eco Option (Stream, Spray, EcoRinse™)
- Pforever Seal™ Ceramic Disc Valves
- Limited Lifetime Warranty



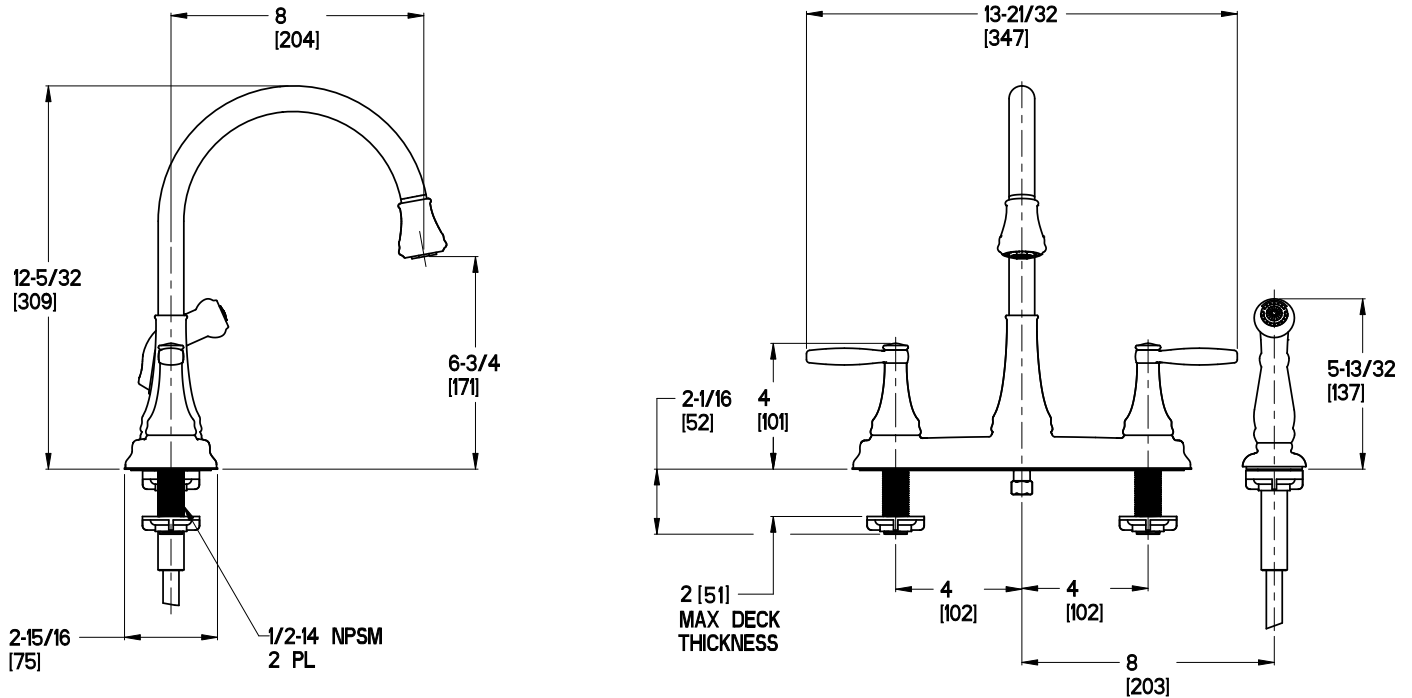
Code Compliance

Pfister products are designed and manufactured in compliance with the following standards and codes:

- IAPMO Certified to ASME A112.18.1/CSA B125.1 including:
 - ASME A112.18.3 (Backflow Prevention)
- NSF/ANSI/CAN61:Q≤1
- CEC Certified/CALGreen compliant
- ADA Compliant - ANSI A117.1 (Lever Handles Only)



Dimensions



Ø1-3/8 Min to Ø1-1/2 Max. Deck Hole Openings