

Specifications

- Pforever Seal
- 360° Rotating Spout

Features

- 1.8 GPM Flow Rate
- 3 or 4-Hole Installation
- 360° Rotating Spout
- Washerless Cartridges
- Concealed Screws
- Fixed Hub
- High Arc Spout
- Mounting Hardware Included
- Swivel Spout
- Pforever Seal Ceramic Disc Valve
- Pforever Warranty®

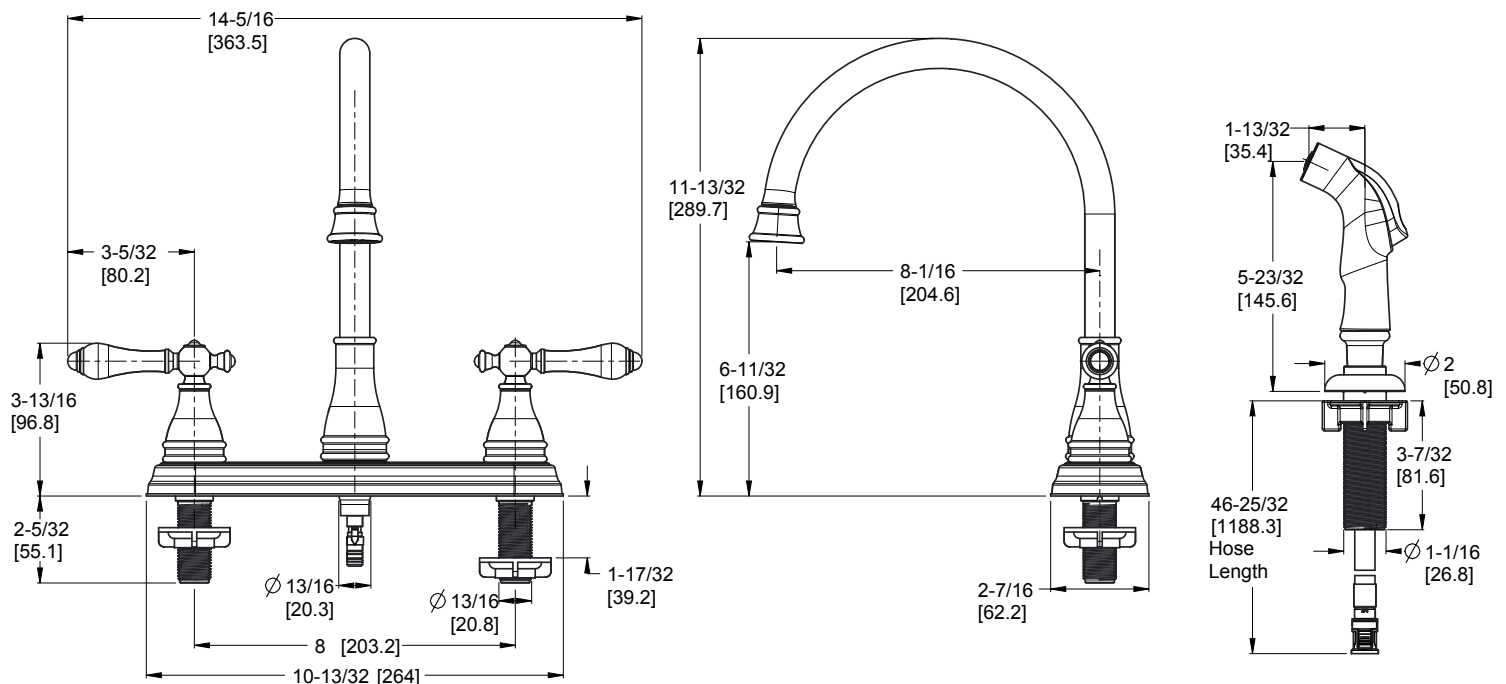
Code Compliance

Pfister products are designed and manufactured in compliance with the following standards and codes:

- IAPMO Certified
- CSA B125 Certified
- ASME A112.18.1
- NSF 61/9 Annex G (Low lead)
- Cal Green Compliant
- ADA Compliant-ANSI A117.1 (Lever handles only)
- ASME A112.18.3 (Backflow Prevention)



Dimensions



Ø1-3/8 Min to Ø1-1/2 Max. Deck Hole Openings