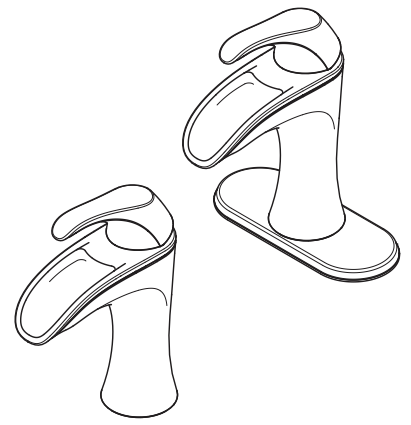


Single Control Lavatory Faucet

- F-042-BRCC Finish(CC)*
- F-042-BRYY Finish(YY)
- F-042-BRKK Finish(KK)
- F-042-BRCB Finish(CB)
- F-042-BRCW Finish(CW)

*INTERNATIONAL ONLY

- 1 or 3-Hole Installation
- All Metal Construction
- Pforever Seal
- Push & Seal™ Pop-Up



Specifications

Features

- 1.5 GPM Flow Rate
- All Metal Construction
- Mounting Hardware Included
- 1 or 3-Hole Installation; Deck Plate or Single Hole Mounting Option
- Pfast Connect
- Push & Seal™ Pop-Up
- TiteSeal™ Deckplate
- Waterfall Trough Spout
- Pforever Seal Ceramic Disc Valves
- Pforever Warranty®

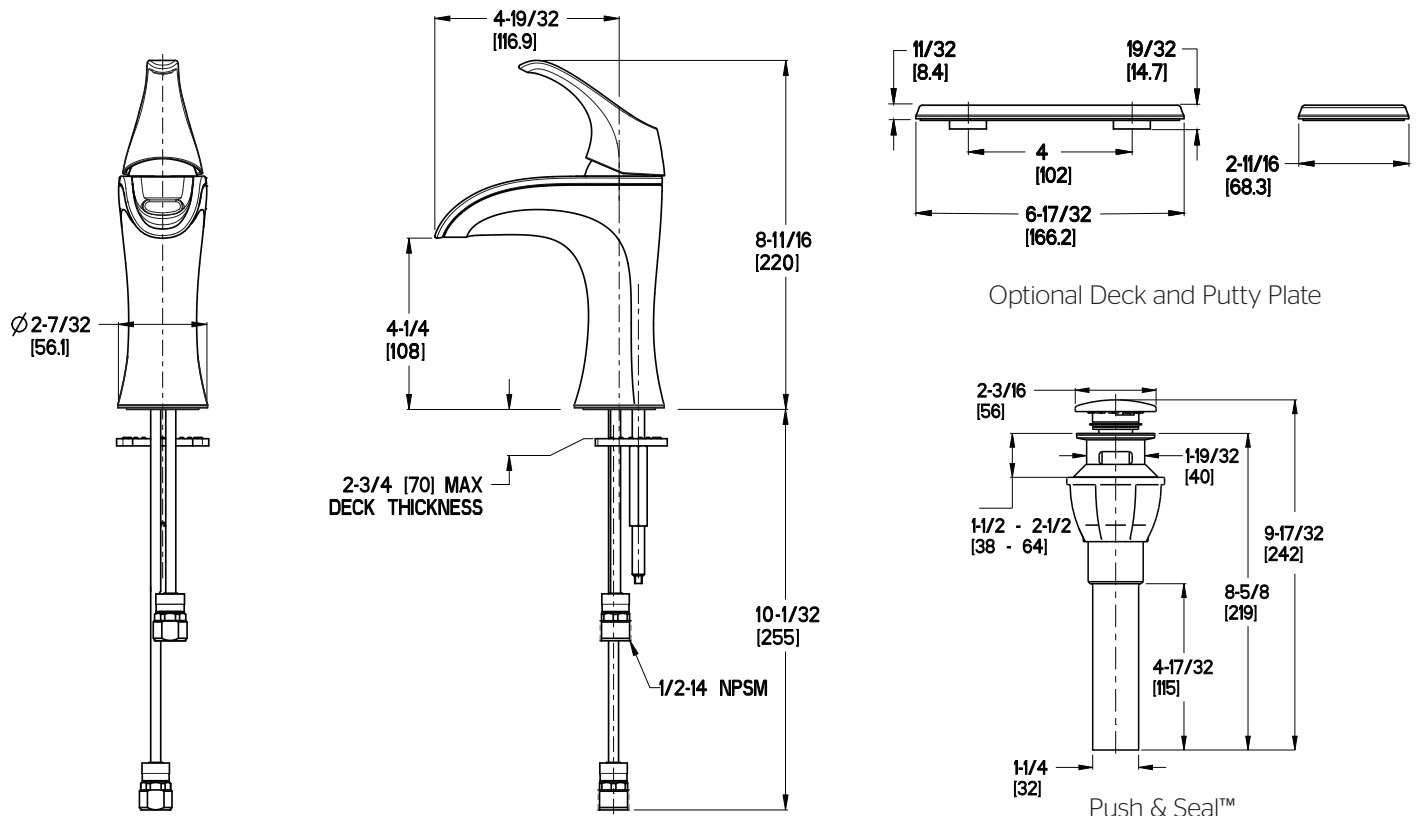
Code Compliance

Pfister products are designed and manufactured in compliance with the following standards and codes:

- IAPMO Certified
- CSA B125 Certified
- ASME A112.18.1
- NSF 61/9 Annex G (Low lead)
- EPA WaterSense Certification 1.5 gpm, 5.7 L/Min
- ADA Compliant-ANSI A117.1 (Lever handles only)



Dimensions



Ø1 Min to Ø1-1/2 Max. Deck Hole Openings