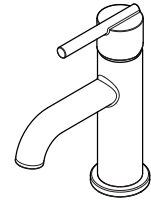
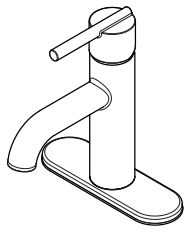


F-042-FTCC Finish(CC)

F-042-FTKK Finish(KK)



- 1 or 3-Hole Installation
- All Metal Construction
- Push & Seal™ Pop-Up

Specifications

Features

- 1.5 GPM Flow Rate
- 1 or 3-Hole Installation; Deck Plate or Single Hole Mounting Option
- Fixed Body
- Laminator Flow Aerator
- Pfaster Connect™
- Push & Seal™ Pop-Up
- TiteSeal™ Technology
- Pforever Seal™ Ceramic Disc Valve
- Limited Lifetime Warranty



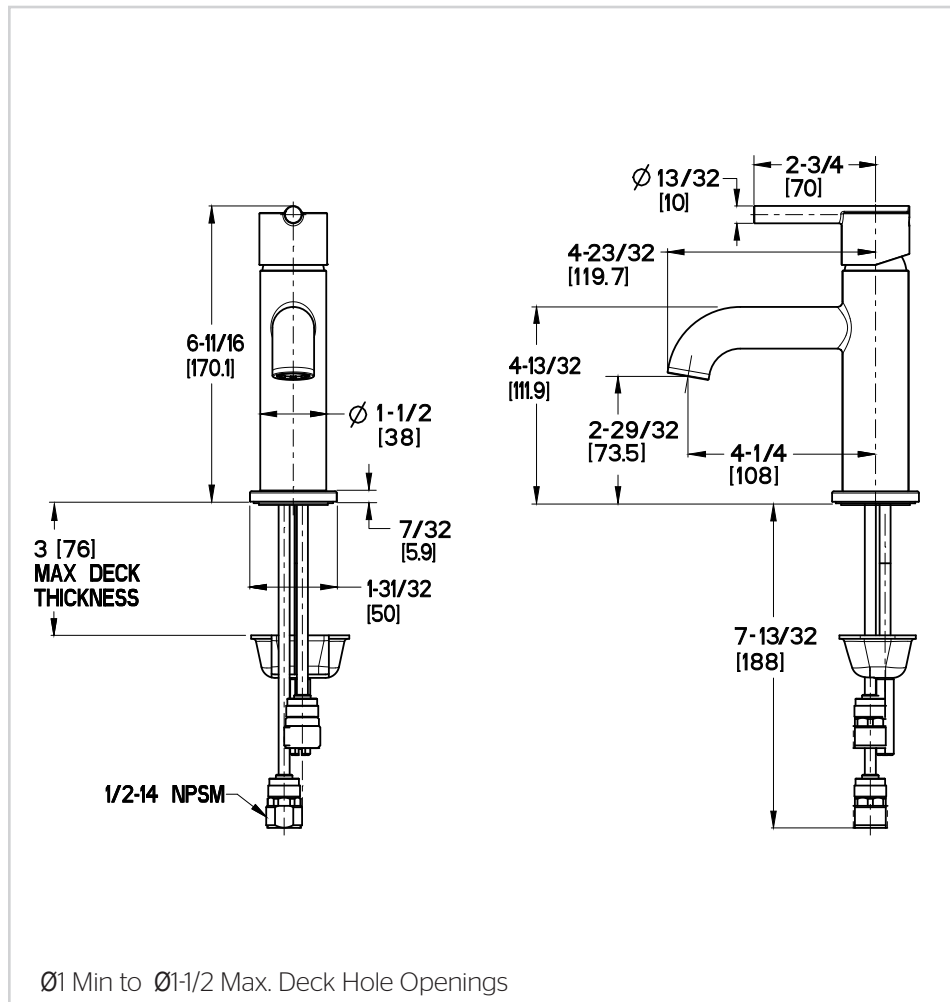
Code Compliance

Pfister products are designed and manufactured in compliance with the following standards and codes:

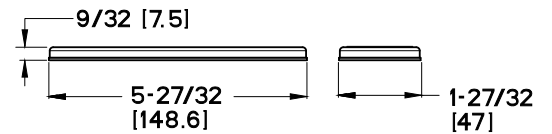
- IAPMO Certified to ASME A112.18.1/CSA B125.1
- NSF/ANSI/CAN61:Q≤1
- CEC Compliant/CALGreen compliant
- ADA Compliant - ANSI A117.1 (Lever Handles Only)



Dimensions



Optional Deck and Putty Plate



Push & Seal™

