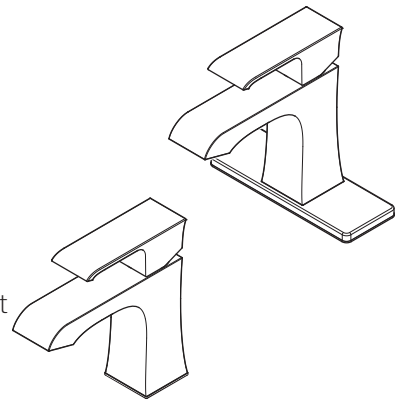


F-042-VOCC Finish(CC)

F-042-VOKK Finish(KK)



- 1 or 3-Hole Installation Spout
- All Metal Construction
- Pforever Seal
- Push & Seal™ Pop-Up

Specifications

Features

- 1.5 GPM Flow Rate
- All Metal Construction
- Concealed Screw
- Mounting Hardware Included
- 1 or 3-Hole Installation; Deck Plate or Single Hole Mounting Option
- Push & Seal™ Pop-Up
- PVD Finish (KK Only)
- TiteSeal™ Deckplate
- Pfast Connect™
- Cache Aerator with Tool
- Pforever Seal Ceramic Disc Valves
- Pforever Warranty®

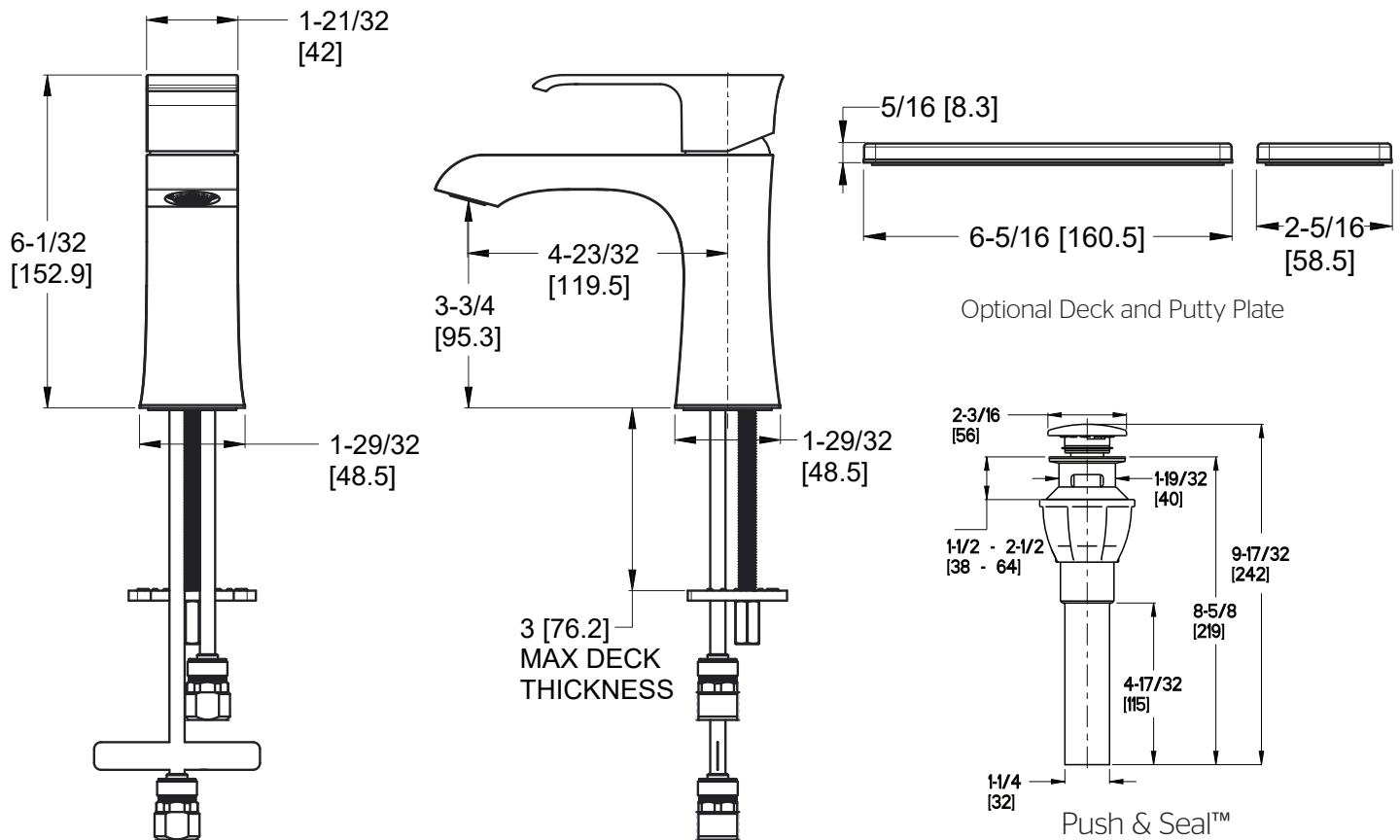
Code Compliance

Pfister products are designed and manufactured in compliance with the following standards and codes:

- IAPMO Certified
- CSA B125 Compliant
- ASME A112.18.1
- NSF 61/9 Annex G (Low lead)
- EPA WaterSense Certification 1.5 gpm, 5.7 L/Min
- ADA Compliant-ANSI A117.1 (Lever handles only)



Dimensions



Ø1 Min to Ø1-1/2 Max. Deck Hole Openings