

## Specifications

### Features

- 1.5 GPM Flow Rate
- 3-Hole Installation
- Mounting Hardware Included
- Quick Install Tool Included
- Pfast Connect™
- TiteSeal™ Technology
- Color Coded Connections
- Waterfall Trough Spout
- Push and Seal™ Pop-Up
- Pforever Seal™ Ceramic Disc Valves



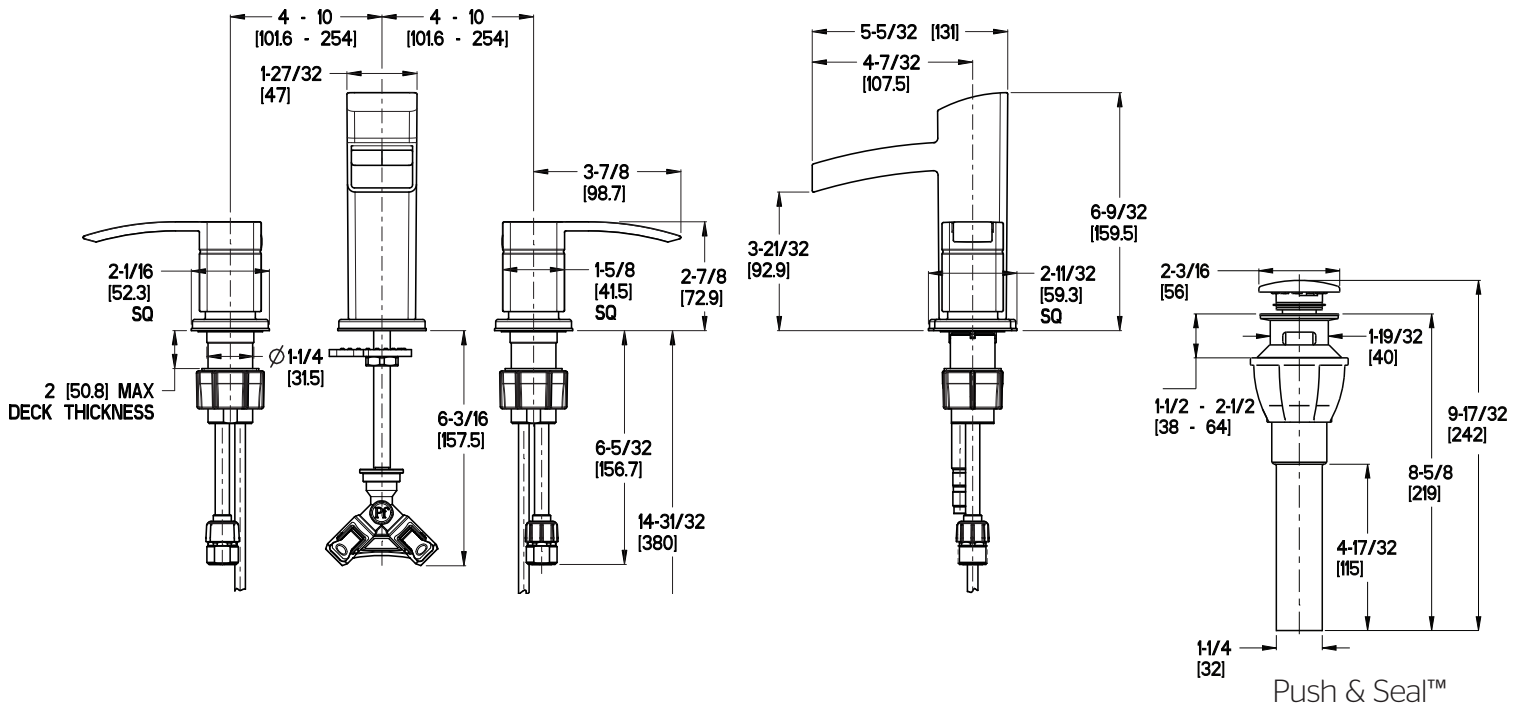
### Code Compliance

Pfister products are designed and manufactured in compliance with the following standards and codes:

- IAPMO Certified to ASME A112.18.1/CSA B125.1
- EPA WaterSense Certified
- NSF/ANSI/CAN61:Q≤1
- CEC Certified/CALGreen compliant
- ADA Compliant - ANSI A117.1 (Lever Handles Only)



## Dimensions



Ø1-1/4 Min to Ø1-1/2 Max. Deck Hole Openings