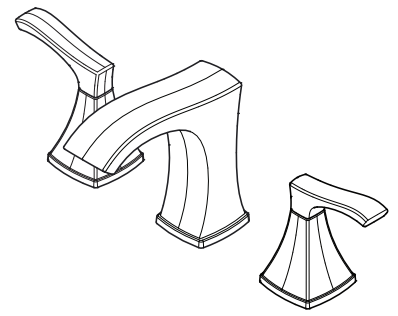


F-049-VNCC Finish(CC)\*

F-049-VNKK Finish(KK)

\*International Only



## Specifications

### Features

- 1.5 GPM Flow Rate
- All Metal Construction
- Mounting Hardware Included
- Quick Install Tool Included
- Pfaster Connect
- 3-Hole Installation
- High Arc Spout
- TiteSeal™
- Fixed Hub
- PVD Finish (KK Finish Only)
- Color Coded Connections
- Push & Seal™ Pop-Up
- Pforever Seal Ceramic Disc Valves
- Pforever Warranty®

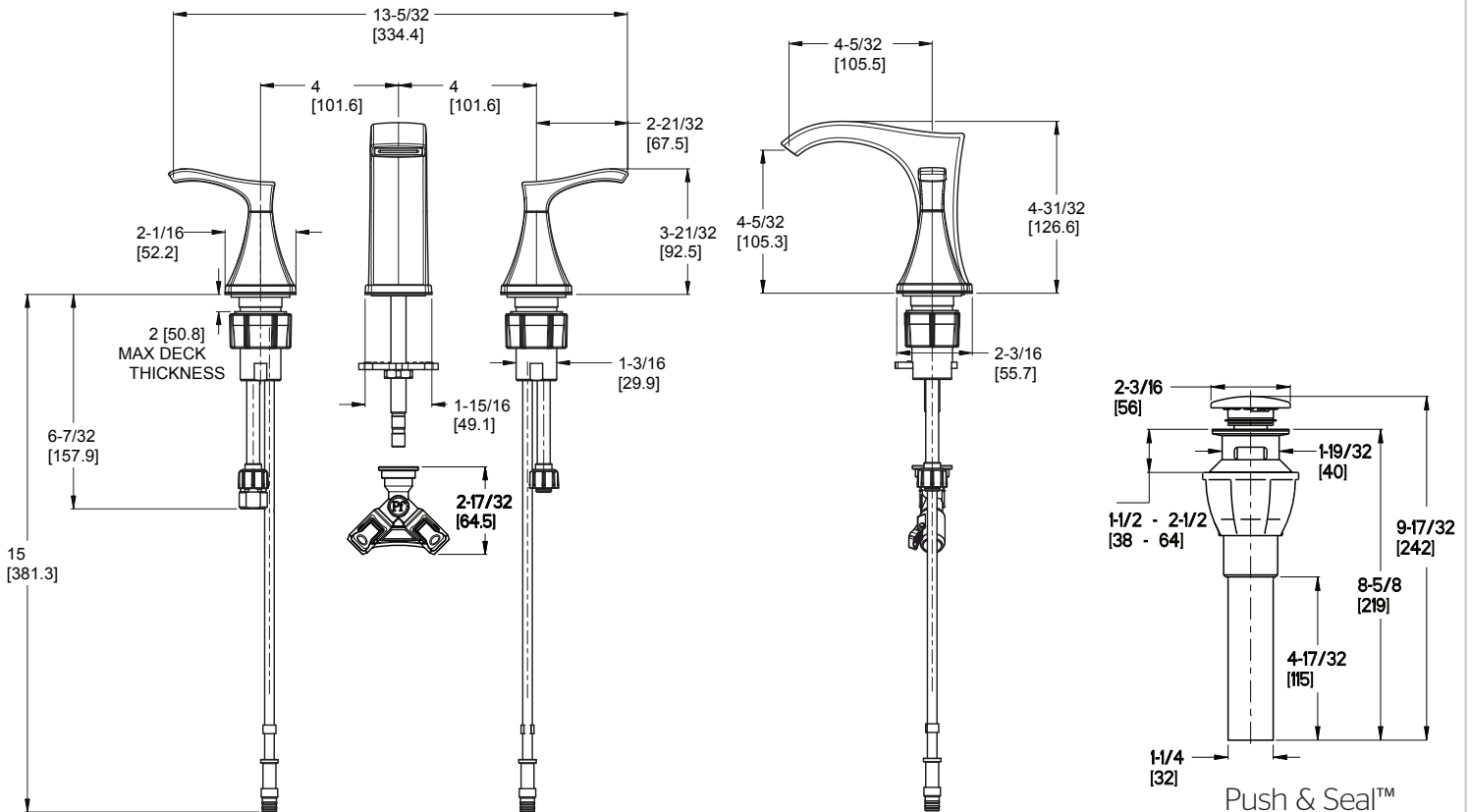
### Code Compliance

Pfister products are designed and manufactured in compliance with the following standards and codes:

- IAPMO Certified
- CSA B125 Certified
- ASME A112.18.1
- NSF 61/9 Annex G (Low lead)
- Cal Green Compliant
- EPA WaterSense Certification 1.5 gpm, 5.7L/Min
- ADA Compliant-ANSI A117.1 (Lever handles only)



## Dimensions



Ø1-1/4 Min to Ø1-1/2 Max. Deck Hole Openings