

### Specifications

- Tri-Flow™
- Pforever Seal

#### Features

- 1.8 GPM Flow Rate
- High Arc Spout
- Soap Dispenser Included
- Pfaster Connect
- Tri-Flow™
- Pforever Seal Ceramic Disc Valve
- Pforever Warranty®

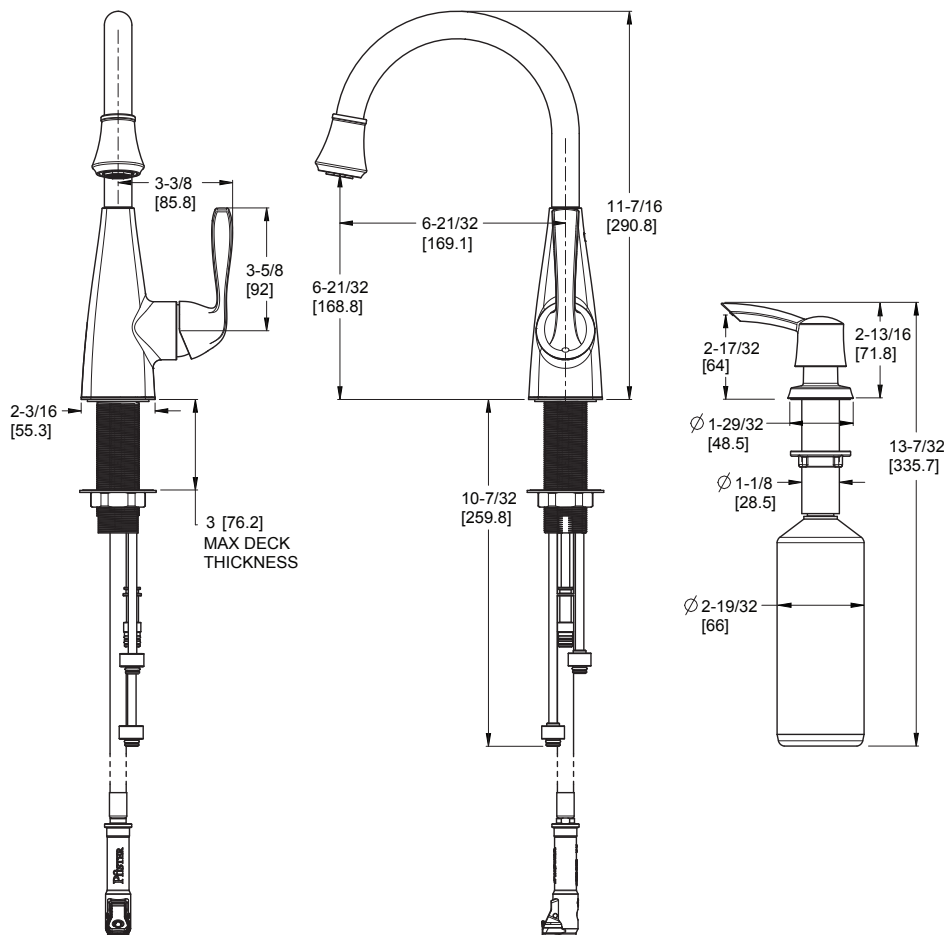
#### Code Compliance

Pfister products are designed and manufactured in compliance with the following standards and codes:

- IAPMO Certified
- CSA B125 Certified
- ASME A112.18.1
- NSF 61/9 Annex G (Low lead)
- Cal Green Compliant
- CEC Compliant
- ADA Compliant-ANSI A17.1 (Lever handles only)



### Dimensions



Ø1-3/8 Min to Ø1-1/2 Max. Deck Hole Openings