

Specifications

Features

- 1.8 GPM Flow Rate
- Forward Handle Operation
- 360° High Arc Swivel Spout
- Quick Install Tool
- Mounting Hardware Included
- PERT Supply Lines
- Spot Defense™ Finish Resists Spots and Fingerprints
- Swivel Spout
- TiteSeal™ Technology
- Pforever Seal™ Ceramic Disc Valve
- Limited Lifetime Warranty

- Spot Defense™
- Pforever Seal™



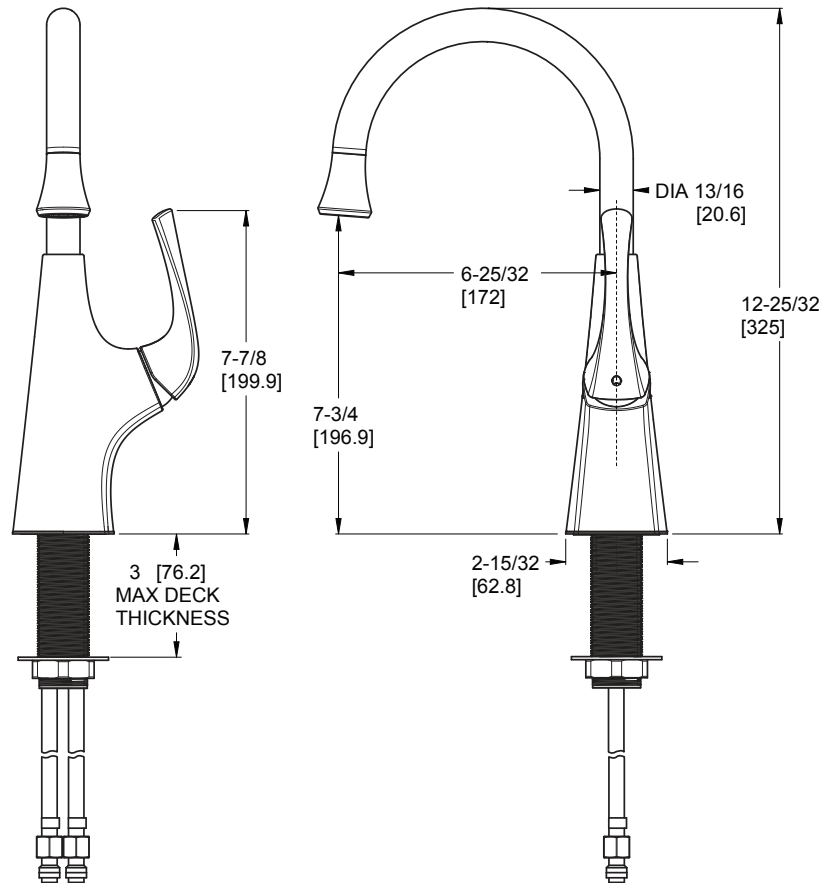
Code Compliance

Pfister products are designed and manufactured in compliance with the following standards and codes:

- IAPMO Certified to ASME A112.18.1/CSA B125.1
- NSF/ANSI/CAN61:Q≤1
- CEC Certified/CALGreen compliant
- ADA Compliant - ANSI A117.1 (Lever Handle Only)



Dimensions



Ø1-3/8 Min to Ø1-1/2 Max. Deck Hole Openings