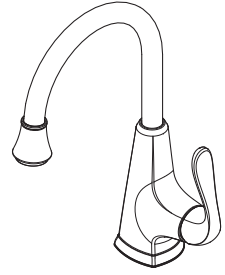


Pasadena™ Bar & Prep Faucet

- F072-PDSL Finish(SL)
- F072-PDSS Finish(SS)
- F072-PDYY Finish(YY)



Specifications

- TiteSeal™ Deck Plate
- Tri-Flow™
- Pforever Seal

Features

- 1.8 GPM Flow Rate
- High Arc Spout
- PVD Finish (SS Finish Only)
- Quick Install Tool
- Soap Dispenser Included
- 360° Rotating Spout
- TiteSeal™ Deck Plate
- Tri-Flow™ with Eco Option
- Pforever Seal Ceramic Disc Valve
- Pforever Warranty®

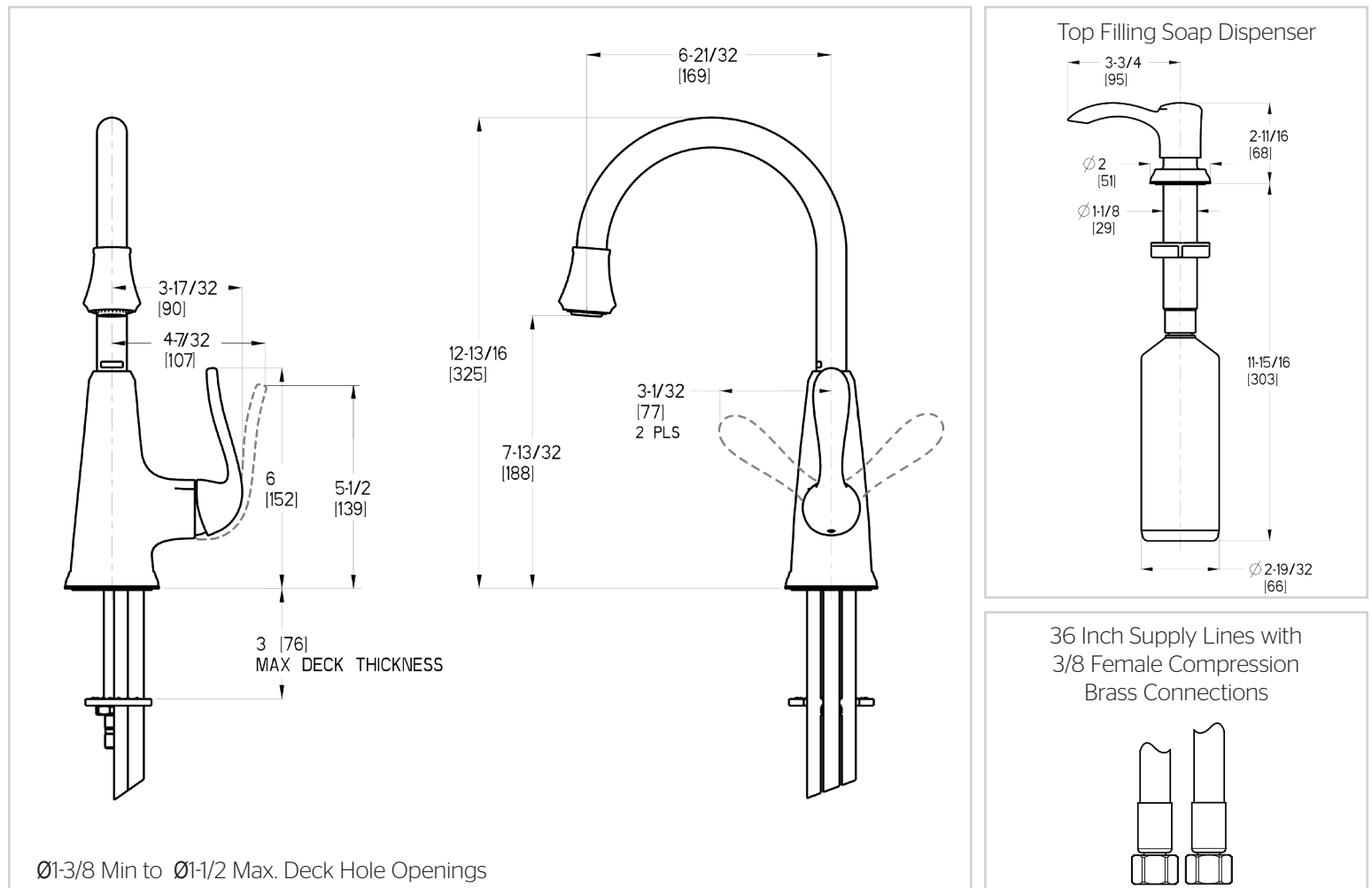
Code Compliance

Pfister products are designed and manufactured in compliance with the following standards and codes:

- IAPMO Certified
- CSA B125 Certified
- ASME A112.18.1
- NSF 61/9 Annex G (Low lead)
- CEC Compliant
- Cal Green Compliant
- ADA Compliant-ANSI A117.1 (Lever handles only)



Dimensions



Ø1-3/8 Min to Ø1-1/2 Max. Deck Hole Openings