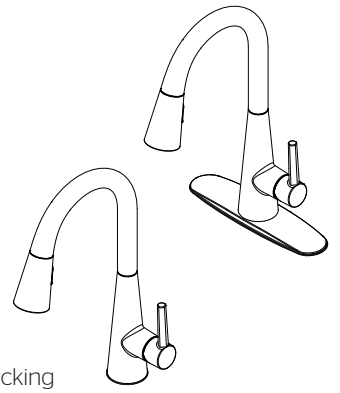


Barulli™

Pull-Down Kitchen Faucet

- F529-7BAR2B Finish(B)
- F529-7BAR2C Finish(C)
- F529-7BAR2GS Finish(GS)



Specifications

- MagnePfit™ Sprayhead Docking
- Auto-Align™ Sprayhead Docking

Features

- 1.8 GPM Flow Rate
- 1 or 3-Hole Installation; Deck Plate or Single Hole Mounting Option
- MagnePfit™ Sprayhead Docking
- Auto-Align™ Sprayhead Docking
- 2 Function Pull-Down Sprayer (Spray and Stream)
- 360° Rotating High Arc Swivel Spout
- 14.5" Extended Pull-Down Hose Length
- 36" Integrated Flexible PERT Supply Lines
- Nylon Braided Hose
- 3/8" Connection
- Multi-Mount
- Wipe Clean™ Nozzles
- Includes Quick Install Tool
- Forward Handle Operation
- TiteSeal™ Technology
- Pfast Connect™
- Pforever Seal™ Ceramic Disc Valve
- Limited Lifetime Warranty



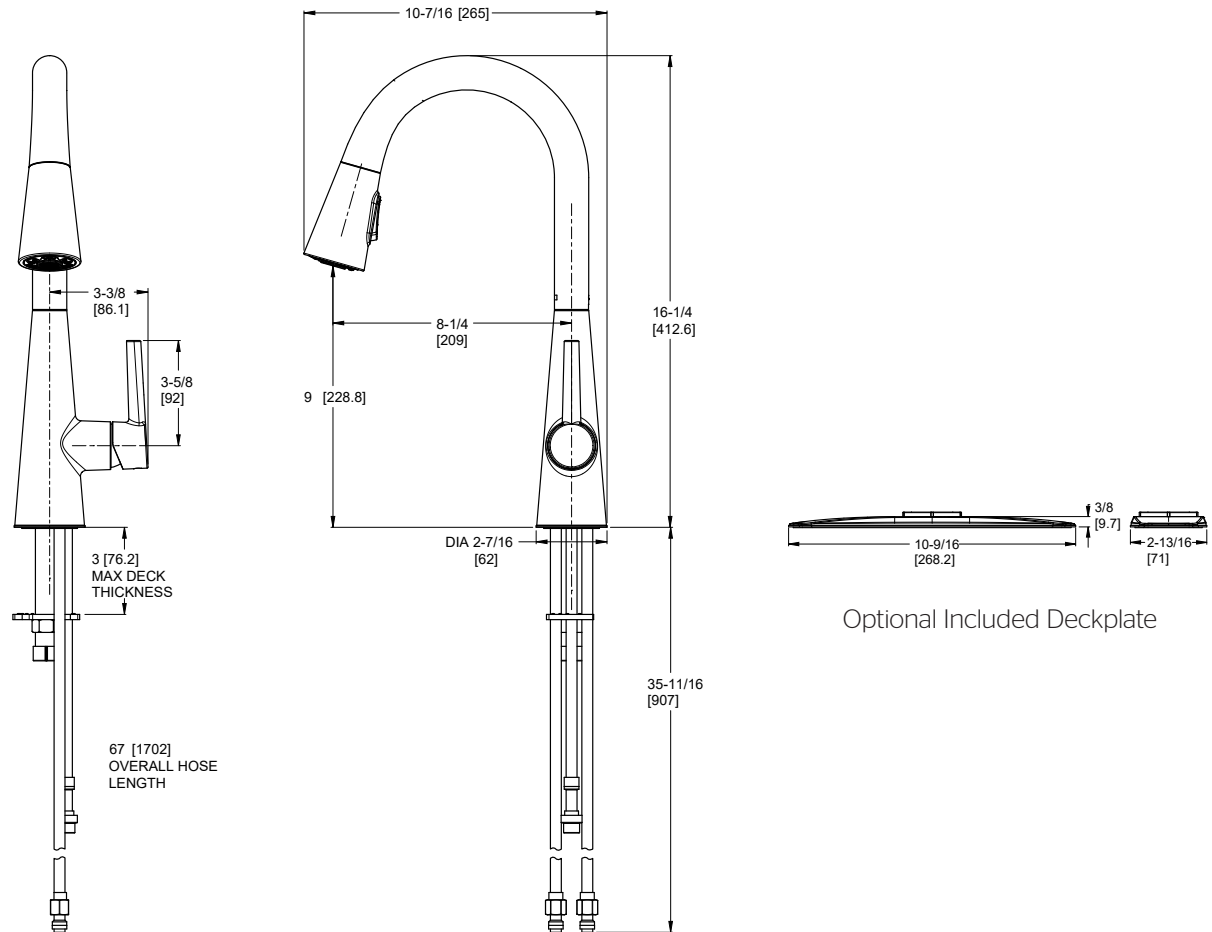
Code Compliance

Pfister products are designed and manufactured in compliance with the following standards and codes:

- IAPMO Certified to ASME A112.18.1/CSA B125.1 including:
 - ASME A112.18.3 (Backflow Prevention)
- NSF/ANSI/CAN61:Q≤1
- CEC Certified/CALGreen compliant
- ADA Compliant - ANSI A117.1 (Lever Handle Only)



Dimensions



Ø1-3/8 Min to Ø1-1/2 Max. Deck Hole Openings