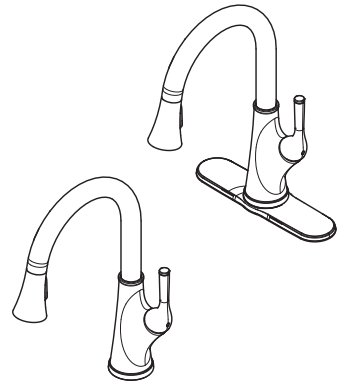


F-529-7CRC Finish(C)

F-529-7CRS Finish(S)



- AccuDock Spray Head Docking
- 1 or 3-Hole Installation Spout
- 360° Rotating Spout
- Pforever Seal

Specifications

Features

- 1.8 GPM Flow Rate
- 1 or 3-Hole Installation; Deck Plate or Single Hole Mounting Option
- 2 Function Pull-Down Sprayer
- AccuDock Spray Head Docking
- Swivel Spout
- 360° Rotating Spout
- Flex-Line Supply Lines
- Mounting Hardware Included
- PVD Finish (S Finish Only)
- TiteSeal™ Deck Plate
- Quick Install Tool
- Pfast Connect™
- Pforever Seal Ceramic Disc Valve
- Pforever Warranty®

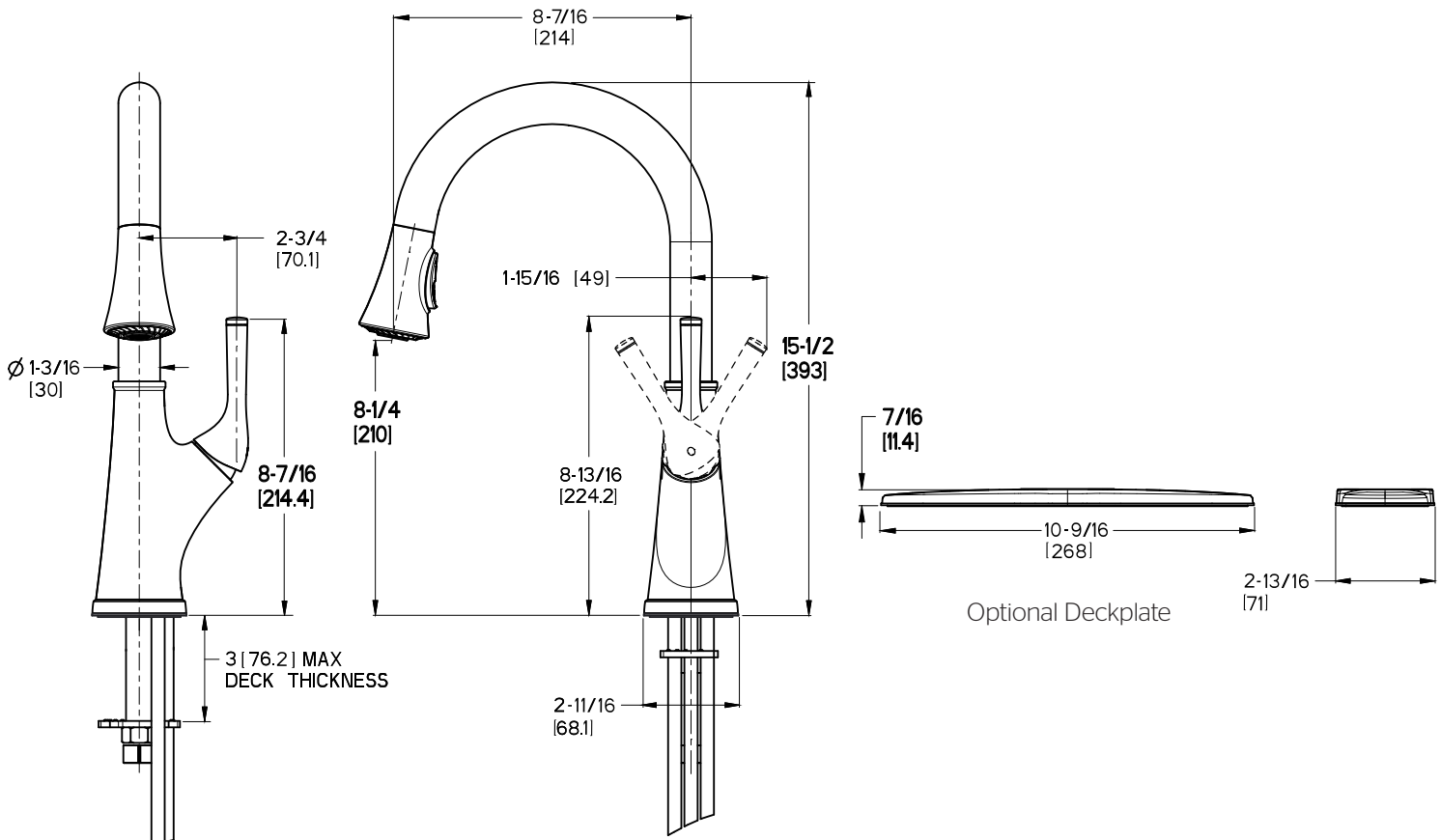
Code Compliance

Pfister products are designed and manufactured in compliance with the following standards and codes:

- IAPMO Certified
- CSA B125 Certified
- ASME A112.18.1
- NSF 61/9 Annex G (Low lead)
- CEC Compliant
- Cal Green Compliant
- ADA Compliant-ANSI A117.1 (Lever handles only)
- ASME A112.18.3 (Backflow Prevention)



Dimensions



ϕ 1-3/8 Min to ϕ 1-1/2 Max. Deck Hole Openings