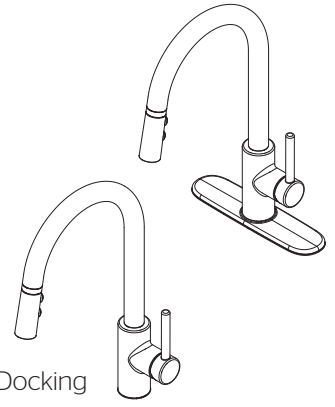


- F529-7FTB Finish(B)
- F529-7FTBG Finish(BG)
- F529-7FTC Finish(C)
- F529-7FTS Finish(S)



- AccuDock™ Sprayhead Docking
- Pforever Seal

Specifications

Features

- 1.8 GPM Flow Rate
- 3 Function Pull-Down Sprayer
- 1 or 3-Hole Installation; Deck Plate or Single Hole Mounting Option
- AccuDock™ Sprayhead Docking
- 9" Extended Pull-Down Hose Length
- Santoprene Hose
- Pforever Seal™ Ceramic Disc Valve
- Limited Lifetime Warranty



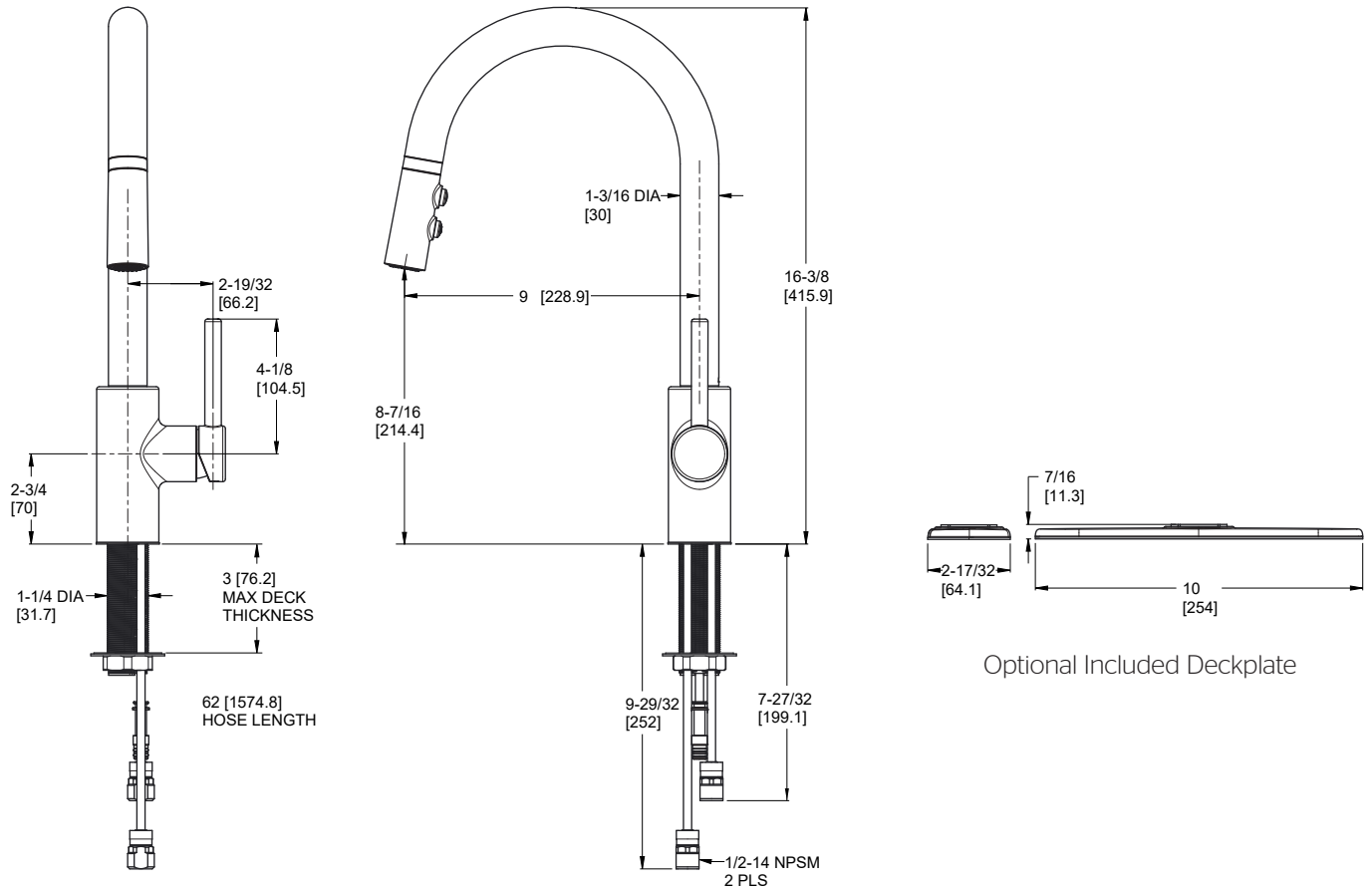
Code Compliance

Pfister products are designed and manufactured in compliance with the following standards and codes:

- IAPMO Certified to ASME A112.18.1/CSA B125.1 including:
 - ASME A112.18.3 (Backflow Prevention)
- NSF/ANSI/CAN61:Q≤1
- CEC Certified/CALGreen compliant
- ADA Compliant - ANSI A117.1 (Lever Handle Only)



Dimensions



Ø1-3/8 Min to Ø1-1/2 Max. Deck Hole Openings

Optional Included Deckplate