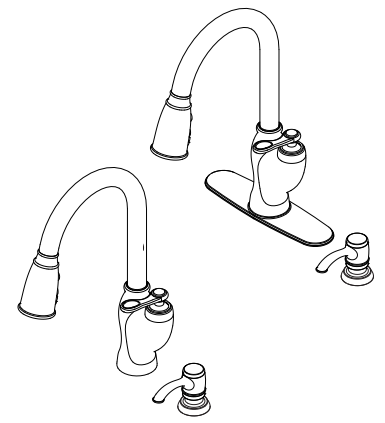


\*F529-7GFS Finish(S)

F529-7GFY Finish(Y)

\*International Only



- 3 Function Pull-Down Sprayer with HydroBlade
- TiteSeal™ Deck Plate
- 1, 2, 3, or 4-Hole Installation

## Specifications

### Features

- 1, 2, 3, or 4-Hole Installation; Deck Plate or Single Hole Mounting Option
- 3 Function Pull-Down Sprayer with HydroBlade
- 60" Nylon Hose
- AccuDock Spray Head Docking
- Concealed Screw
- High Arc Spout
- 360° Rotating Spout
- Flex-Line Supply Lines
- Mounting Posts
- EZ Clean™
- TiteSeal™ Deck Plate
- Nylon Flex-Line Supply Lines
- Quick Install Tool
- Soap Dispenser Included
- Pfast Connect
- PVD Finish
- Pforever Seal Ceramic Disc Valve
- Pforever Warranty®

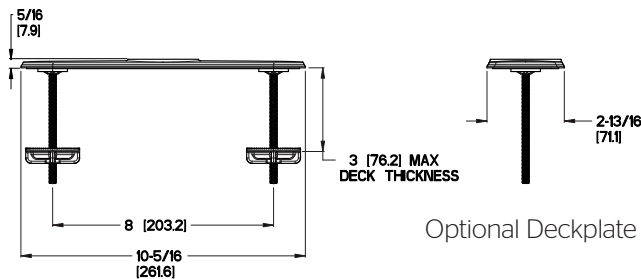
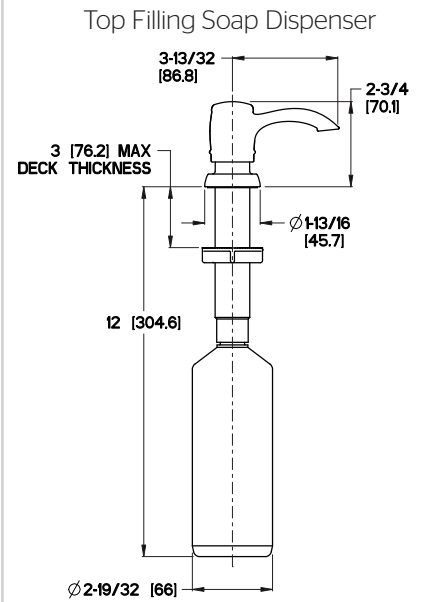
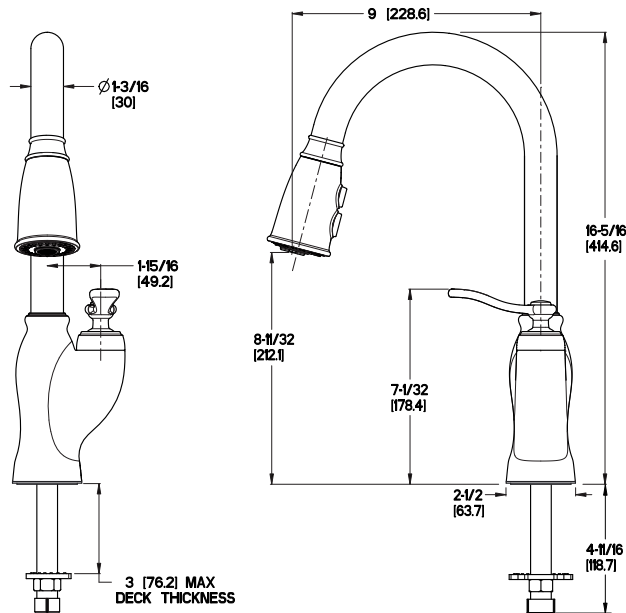
### Code Compliance

Pfister products are designed and manufactured in compliance with the following standards and codes:

- IAPMO Certified
- CSA B125 Certified
- ASME A112.18.1
- NSF 61/9 Annex G (Low lead)
- Cal Green Compliant
- ADA Compliant-ANSI A117.1 (Lever handles only)



## Dimensions



Optional Deckplate

Ø1-3/8 Min to Ø1-1/2 Max. Deck Hole Openings

36 Inch Supply Lines with 3/8 Female Compression Brass Connections

