

- AccuDock™ Sprayhead Docking
- 1, 2, 3, or 4-Hole Installation
- Pforever Seal

Specifications

Features

- 1.8 GPM Flow Rate
- 1, 2, 3, or 4-Hole Installation; Deck Plate or Single Hole Mounting Option
- 2 Function Pull-Out Sprayer
- 360° Rotating Spout
- AccuDock™ Sprayhead Docking
- Forward Handle Operation
- Mounting Hardware Included
- High Arc Swivel Spout
- Pfast Connect™
- SoloTilt™ One-Handed Soap Dispenser Included
- Spot Defense™ Finish Resists Spots and Fingerprints
- Quick Install Tool
- Pforever Seal™ Ceramic Disc Valve
- Limited Lifetime Warranty



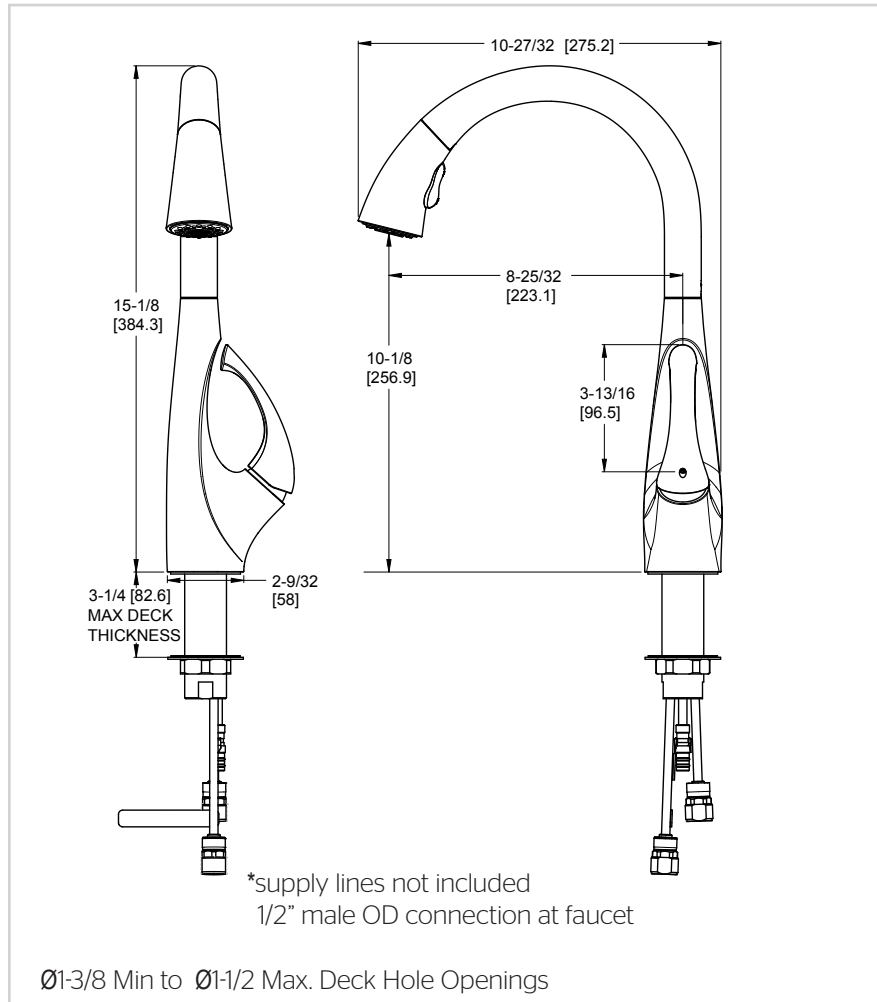
Code Compliance

Pfister products are designed and manufactured in compliance with the following standards and codes:

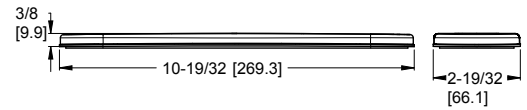
- IAPMO Certified to ASME A112.18.1/CSA B125.1 including:
 - ASME A112.18.3 (Backflow Prevention)
- NSF/ANSI/CAN61:Q≤1
- CEC Certified/CALGreen compliant
- ADA Compliant - ANSI A117.1 (Lever Handles Only)



Dimensions



Optional Deckplate



Top Filling Soap Dispenser

