

- AutoDock™ Sprayhead Docking
- 1, 2, 3, or 4-Hole Installation
- Pforever Seal™

## Specifications

### Features

- 1.8 GPM Flow Rate
- 1, 2, 3, or 4-Hole Installation; Deck Plate or Single Hole Mounting Option
- 3 Function Pull-Down Sprayer
- 360° Rotating Spout
- AutoDock™ Sprayhead Docking
- Forward Handle Operation
- Mounting Hardware Included
- Pfast Connect™
- Soap Dispenser
- Quick Install Tool
- PVD Finish
- Pforever Seal™ Ceramic Disc Valve
- Limited Lifetime Warranty



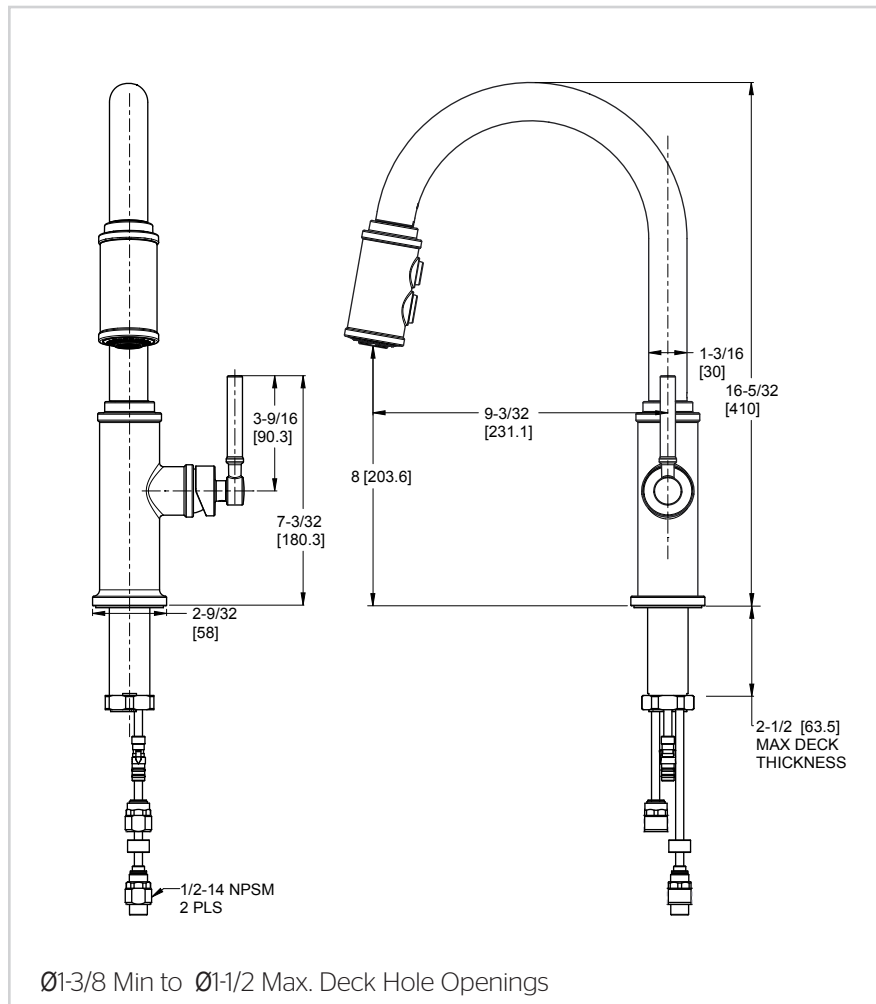
### Code Compliance

Pfister products are designed and manufactured in compliance with the following standards and codes:

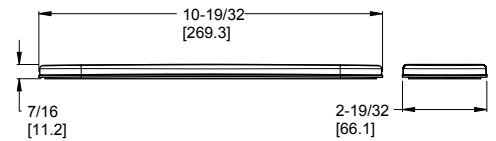
- IAPMO Certified to ASME A112.18.1/CSA B125.1 including:
  - ASME A112.18.3 (Backflow Prevention)
- NSF/ANSI/CAN61:Q≤1
- CEC Certified/CALGreen compliant
- ADA Compliant - ANSI A117.1 (Lever Handle Only)



## Dimensions



### Optional Deckplate



### Top Filling Soap Dispenser

