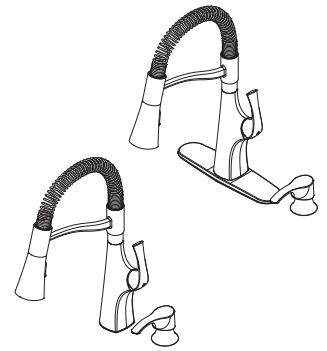


- F529-7LRCB Finish(B)
- F529-7LRCBG Finish(BG)
- F529-7LRCC Finish(C)
- F529-7LRCGS Finish(GS)



Specifications

- MagnePfit™ With Auto-Align™ Docking
- TopPfit™ Installation

Features

- 1.8 GPM Flow Rate
- 1, 2, 3 or 4-Hole Installation; Single Hole Mounting or Optional Included Deckplate
- MagnePfit™ Sprayhead Docking
- Auto-Align™ Sprayhead Alignment
- 2 Function Pull-Down Sprayer (Spray and Stream)
- 14.5" Extended Pull-Down Hose Length
- Nylon Braided Hose
- 360° Rotating High Arc Swivel Spout
- Spot Defense™ Finish Resists Spots and Fingerprints (GS Finish Only)

- 3/8" Connection
- Easy to Clean Nozzles
- Flexible PERT Supply Lines
- Forward Handle Operation
- SoloTilt™ One Handed Soap Dispenser Included
- TiteSeal™ Technology
- TopPfit™ Top Mount Installation
- TopPfit™ Install Tool Included
- Pfast Connect™
- Pforever Seal™ Ceramic Disc Valve
- Limited Lifetime Warranty



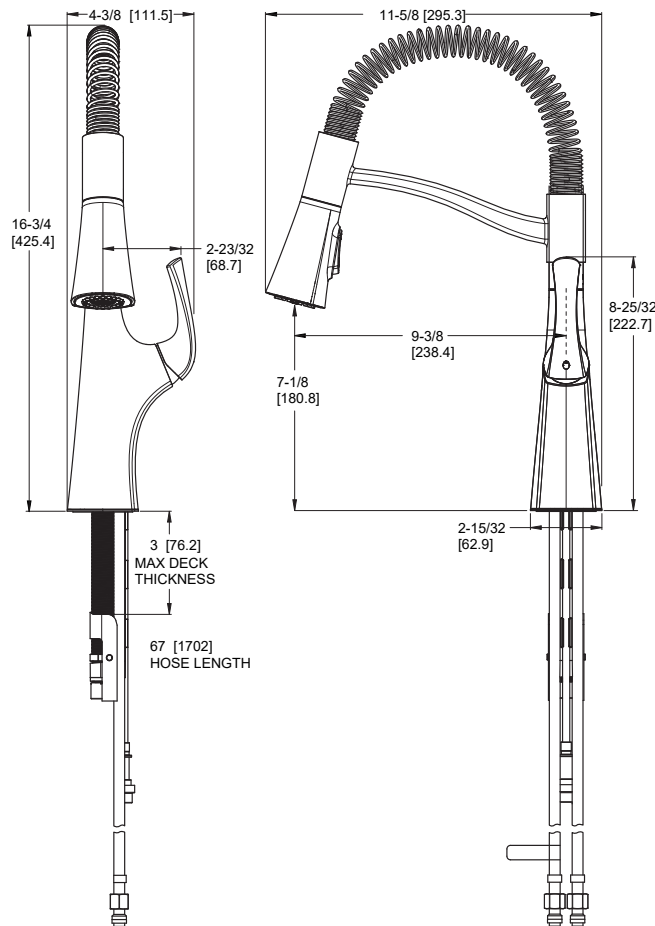
Code Compliance

Pfister products are designed and manufactured in compliance with the following standards and codes:

- IAPMO Certified to ASME A112.18.1/CSA B125.1 including:
 - ASME A112.18.3 (Backflow Prevention)
- NSF/ANSI/CAN61:Q≤1
- CEC Certified/CALGreen compliant
- ADA Compliant - ANSI A117.1 (Lever Handle Only)

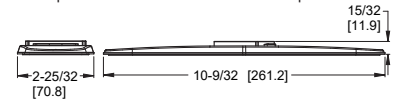


Dimensions

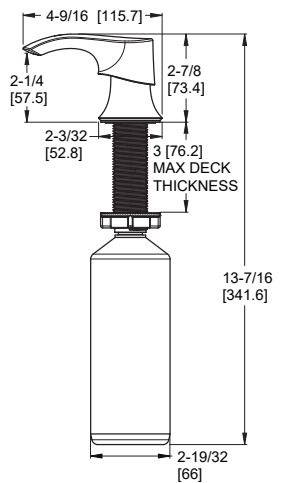


Ø1-3/8 Min to Ø1-1/2 Max. Deck Hole Openings

Optional Included Deckplate



Top Filling Soap Dispenser



36 Inch Supply Lines with 3/8 Female Compression Brass Connections

